

## Mobility DisplayPort (MyDP) to HDMI converter

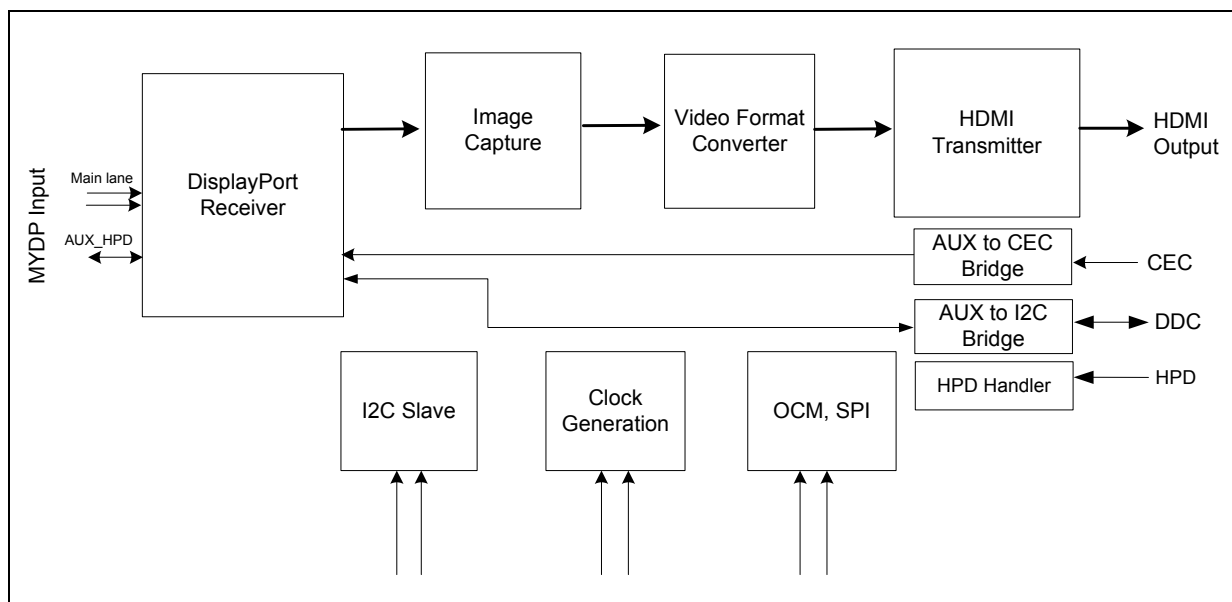
Data brief

### Features

- Mobility DisplayPort® (MyDP) receiver
  - Link rate HBR2/HBR/RBR
  - 1 lane
  - AUX\_HPD single-ended AC coupled signal, 1 Mbps
- HDMI 1.4 transmitter
  - Max data rate up to 2.97 Gbps/data pair
  - Color depth 24, 18 bits per pixel
  - 3D video timings (1920 x 1080 @ 30 Hz stereo)
  - CEC
- HDCP repeater with embedded keys
- AUX to I2C bridge for EDID pass through
- AUX to CEC bridge for CEC message protocol between MyDP source and TV
- Spread spectrum on DisplayPort interface for EMI reduction
- Bandwidth
  - Video resolution up to 1920 x 1080 @ 60 Hz
  - Audio 7.1 Ch up to 192 kHz sample rate
- Low power operation
  - Powered from MyDP source or from external USB +5 V supply
- Package
  - 81 BGA (5 x 5 mm)
- Power supply voltages
  - 3.3 V I/O; 1.2 V core

### Applications

- Audio-video accessory (dongle) for smart phones/tablets
- TV front-end



# 1 Description

The STDP2550 is a Mobility DisplayPort to HDMI converter that facilitates streaming FHD 60 Hz video and audio from MyDP enabled smart phones and tablets to TVs, monitors, and projectors. The STDP2550 is a VESA Mobility DisplayPort (MyDP) standard compliant device, implementing a single lane DisplayPort receiver and AUX\_HPD. The output port comprises an HDMI 1.4 compliant transmitter with CEC and HPD support. The MyDP standard is a digital audio-video interconnect based on the VESA DisplayPort standard for a mobile source device capable of streaming uncompressed audio and video. It uses the existing standard 5-pin connector commonly used for charging the portable mobile devices to stream the audio-video to the external display.

The STDP2550 uses ST's latest generation DisplayPort receiver technology that supports a single AV stream at HBR2 speed, a data rate of 5.4 Gbps per lane. Also, the HDMI transmitter in STDP2550 is based on advanced high-speed TMDS technology supporting link rate up to 2.97 Gbps and the stereo 3D formats. It can deliver 1080p 60 Hz video with a color depth of 24 bits per pixel and audio up to 8-channel at 192 Kb sample rate from a MyDP source to HDMI TV. This device complies with the HDCP 1.3 content protection scheme with an embedded key option for secure transmission of premium digital AV content. It can also act as an HDCP repeater for the downstream sink when used in a dongle application.

The AUX\_HPD is a single-ended sideband channel used for low-speed data exchange between the MyDP source and the downstream sink. The AUX\_HPD data transfer rate is 1 Mbps, which is quite adequate for handling I2C and CEC protocols. MyDP source also uses the AUX\_HPD channel for the DPCD read-write access.

The AUX-to-I2C translator in the STDP2550 allows MyDP source to access EDID from the connected sink. Similarly, the AUX-to-CEC translator handles CEC message transfer from the HDMI sink to the MyDP source over the AUX\_HPD line. This device has an on-chip microcontroller with SPI and I2C host interfaces for system configuration purposes. The STDP2550 implements a sink detection and monitoring feature that automatically puts the device into low power operation whenever the sink is disconnected.

## 2 Application overview

Figure 1. STDP2550 in mobile accessory (dongle) application

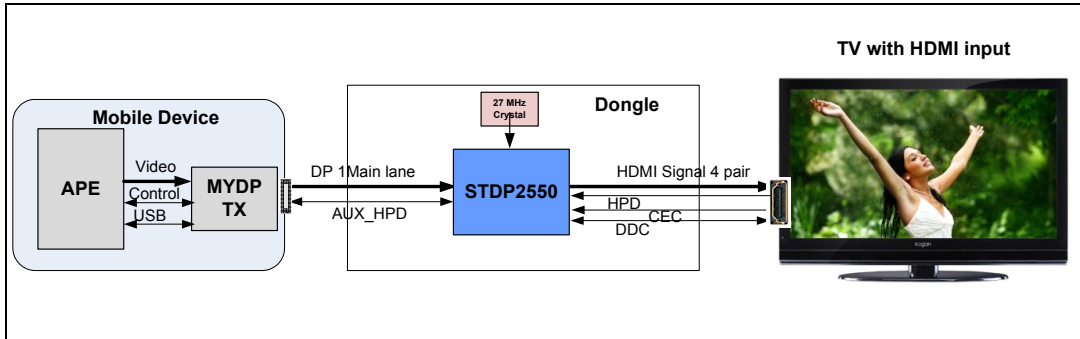
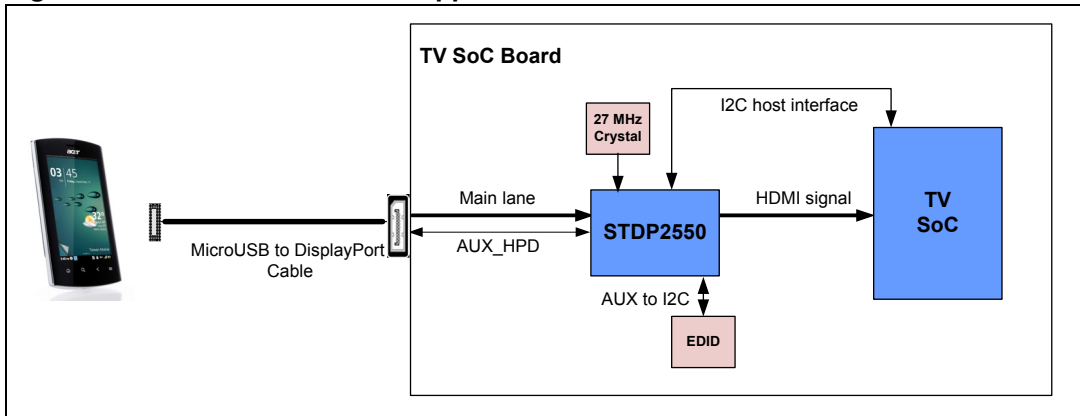


Figure 2. STDP2550 inside TV application



## 3 Feature attributes

### 3.1 Input interface

- Mobility DisplayPort
- Main link configuration (SST format only)
  - HBR2/HBR/RBR link rate
  - 1 lane
- AUX\_HPD: 1 Mbps Manchester transaction format
  - I2C over AUX\_HPD
  - CEC over AUX\_HPD
- Pixel bit depth: 24 bpp, 18 bpp
- Color format: RGB
- Audio: Up to 192 Kb samples/sec, 8 Ch/sample, 24 bits/Ch

### 3.2 Output interface

- HDMI standard Ver.1.4 compliant
- Link rate: 2.97 Gbps/data pair max
- Pixel bit depth: 24 bpp, 18 bpp
- Color format: RGB
- Audio: Up to 192 Kb samples/sec, 8 Ch/sample, 24 bits/Ch
- DDC master port
- HPD monitoring
- HDMI RX 3.3 V termination monitoring

### 3.3 Supported video timings

- 1920 x 1080 (FHD) 60 Hz: 24 bits/pixel
- 1920 x 1080 (FHD) 30 Hz stereo 3D

### 3.4 Supported audio timings

- Up to 8-Ch LPCM; word length up to 64 x Fs; bit depth up to 32 bits, sample rate up to 192 kHz

### 3.5 Control channel interfaces

- AUX\_HPD, I2C host interface, SPI (optional), and UART (UART for test/debug purposes only)

### 3.6 HDCP 1.3 support

- Key sets for DPRX and HDMI TX integrated in one-time programmable ROM (OTP)
- Standalone HDCP repeater capability

### 3.7 Package

- 81 BGA (5 x 5 mm), 0.5 ball pitch

### 3.8 Power supply voltages

- 3.3 V I/O; 1.2 V core

### 3.9 ESD

- 2 KV HBM, 500 V CDM

## 4 Ordering information

**Table 1. Order codes**

Part number	Description
STDP2550	81 BGA (5 x 5 mm)

In order to meet environmental requirements, ST offers these devices in different grades of ECOPACK® packages, depending on their level of environmental compliance. ECOPACK® specifications, grade definitions and product status are available at: [www.st.com](http://www.st.com). ECOPACK® is an ST trademark.

## 5 Revision history

Table 2. Document revision history

Date	Revision	Changes
05-Oct-2012	1	Initial release.

**Please Read Carefully:**

Information in this document is provided solely in connection with ST products. STMicroelectronics NV and its subsidiaries ("ST") reserve the right to make changes, corrections, modifications or improvements, to this document, and the products and services described herein at any time, without notice.

All ST products are sold pursuant to ST's terms and conditions of sale.

Purchasers are solely responsible for the choice, selection and use of the ST products and services described herein, and ST assumes no liability whatsoever relating to the choice, selection or use of the ST products and services described herein.

No license, express or implied, by estoppel or otherwise, to any intellectual property rights is granted under this document. If any part of this document refers to any third party products or services it shall not be deemed a license grant by ST for the use of such third party products or services, or any intellectual property contained therein or considered as a warranty covering the use in any manner whatsoever of such third party products or services or any intellectual property contained therein.

**UNLESS OTHERWISE SET FORTH IN ST'S TERMS AND CONDITIONS OF SALE ST DISCLAIMS ANY EXPRESS OR IMPLIED WARRANTY WITH RESPECT TO THE USE AND/OR SALE OF ST PRODUCTS INCLUDING WITHOUT LIMITATION IMPLIED WARRANTIES OF MERCHANTABILITY, FITNESS FOR A PARTICULAR PURPOSE (AND THEIR EQUIVALENTS UNDER THE LAWS OF ANY JURISDICTION), OR INFRINGEMENT OF ANY PATENT, COPYRIGHT OR OTHER INTELLECTUAL PROPERTY RIGHT.**

**UNLESS EXPRESSLY APPROVED IN WRITING BY TWO AUTHORIZED ST REPRESENTATIVES, ST PRODUCTS ARE NOT RECOMMENDED, AUTHORIZED OR WARRANTED FOR USE IN MILITARY, AIR CRAFT, SPACE, LIFE SAVING, OR LIFE SUSTAINING APPLICATIONS, NOR IN PRODUCTS OR SYSTEMS WHERE FAILURE OR MALFUNCTION MAY RESULT IN PERSONAL INJURY, DEATH, OR SEVERE PROPERTY OR ENVIRONMENTAL DAMAGE. ST PRODUCTS WHICH ARE NOT SPECIFIED AS "AUTOMOTIVE GRADE" MAY ONLY BE USED IN AUTOMOTIVE APPLICATIONS AT USER'S OWN RISK.**

Resale of ST products with provisions different from the statements and/or technical features set forth in this document shall immediately void any warranty granted by ST for the ST product or service described herein and shall not create or extend in any manner whatsoever, any liability of ST.

ST and the ST logo are trademarks or registered trademarks of ST in various countries.

Information in this document supersedes and replaces all information previously supplied.

The ST logo is a registered trademark of STMicroelectronics. All other names are the property of their respective owners.

© 2012 STMicroelectronics - All rights reserved

STMicroelectronics group of companies

Australia - Belgium - Brazil - Canada - China - Czech Republic - Finland - France - Germany - Hong Kong - India - Israel - Italy - Japan - Malaysia - Malta - Morocco - Philippines - Singapore - Spain - Sweden - Switzerland - United Kingdom - United States of America

[www.st.com](http://www.st.com)