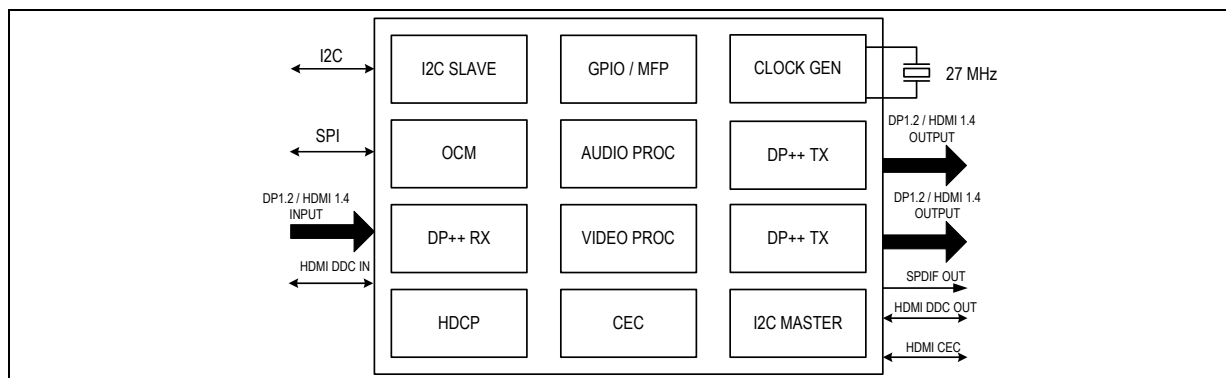


Features

- DisplayPort® dual mode receiver
 - DP 1.2a compliant
 - Link rate HBR2/HBR/RBR
 - SST or MST (up to eight streams)
 - 1, 2, or 4 lanes
 - AUX CH 1 Mbps
 - HPD out
 - HDMI/DVI operation (320 MHz)
 - Functions as MyDP receiver
- DisplayPort dual mode transmitters
 - Two transmitter ports
 - DP 1.2a compliant
 - Link rate HBR2/HBR/RBR
 - SST or MST (up to eight streams)
 - 1, 2, or 4 lanes
 - AUX CH 1 Mbps
 - HPD in
 - HDMI/DVI operation (320 MHz) with external level translator
- SPDIF audio output
 - Two SPDIF port pins
 - 192 kHz/24 bits
 - Compressed/LPCM
- Conversion from DP SST to TMDS format and vice versa
- HDCP repeater with embedded keys
- AUX to I2C bridge for EDID/MCCS pass through
 - Maps on DDC ports
- Device configuration options
 - SPI Flash
 - I2C host interface
- Deep color support
 - RGB/YCC (4:4:4) – 16-bit color
 - YCC (4:2:2/4:2:0) – 16-bit color
- Spread spectrum on DisplayPort interface for EMI reduction
- Bandwidth
 - Video resolution up to 4K2K @ 60 Hz
 - Audio 7.1 Ch up to 192 kHz sample rate
- Low power operation
 - Standby 25 mW
- Package
 - 172 LFBGA (12 x 12 mm)
- Power supply voltages
 - 3.3 V I/O; 1.2 V core

Applications

- Audio-video router for PC/notebooks, docking stations, hub, 4K2K TVs, daisy chain monitors, digital signage



1 Description

The STDP4320 is a high-speed DisplayPort dual mode splitter IC targeted for audio-video de-multiplexing and routing in applications such as notebooks, docking stations, video hub, 4K2K TVs, daisy chainable monitors, digital signage, etc. It consists of one dual mode input port and two dual mode output ports configurable as either DisplayPort or HDMI/DVI. STDP4320 is a VESA DP Standard Ver. 1.2a compliant device that supports advanced features such as MST, HBR2, 3D formats and GTC assist. Designs based on STDP4320 have the flexibility to offer either DP or HDMI/DVI connectors on its end product to interface with legacy and new generation video sources and sinks. In addition, STDP4320-based products with a DisplayPort output connector are DP++ compliant and work with any HDMI or single link DVI sink through a passive level translator (dongle).

The STDP4320 uses ST's latest generation DisplayPort dual mode receiver and transmitter technology that supports both DisplayPort and TMDS signal formats. This device receives MST format up to eight audio-video streams, which can be further routed on either of the two outputs in any combination of eight streams depending on the capability of downstream sinks. This device can also replicate the incoming video streams on both output ports simultaneously, thus allowing cloning on two downstream sinks. For example, a 4K2K 60 Hz video input is replicated on two output ports simultaneously. The DisplayPort receiver and transmitters support HBR2 speed, a data rate of 5.4 Gbps per lane with a total bandwidth of 21.6 Gbps link rate. In HDMI mode, this device supports link rate up to 3.2 Gbps that corresponds to pixel rate of 320 MHz, adequate for supporting video resolution up to FHD 120 Hz with all 3D formats. The device is also capable of delivering deep color video up to 16-bits per color. The STDP4320 allows audio transport from the source to the desired audio rendering devices over the video output port or through an SPDIF port.

The STDP4320 supports RGB and YCbCr colorimetric formats with color depth of 16, 12, 10, and 8 bits. The STDP4320 features the HDCP 1.3 content protection scheme with embedded keys for secure transmission of protected audio-video content. It also operates as an HDCP repeater for the downstream sinks.

The DDC ports in the STDP4320 allow the upstream source to access EDID and transfer MCCS commands to downstream sinks when the physical ports are either HDMI or DVI type. If both the upstream source and downstream sinks are DP type, I2C transactions take place over the AUX CH. If one of them is DP type and the other is either HDMI or DVI type, STDP4320 converts the I2C over AUX message protocol to I2C commands and sends it on the DDC port. The device has an on-chip microcontroller with SPI, UART, and I2C interface. The STDP4320 uses an external SPI Flash ROM for storing device configuration firmware. It has an I2C slave port for external host communication. Other system interface signals include the CEC and general-purpose IO for source, sink communication, detection, monitoring, etc. When the downstream sink is disconnected, STDP4320 automatically turns off the inactive port for power saving purposes.

2 Application overview

Figure 1. STDP4320 in video hub application

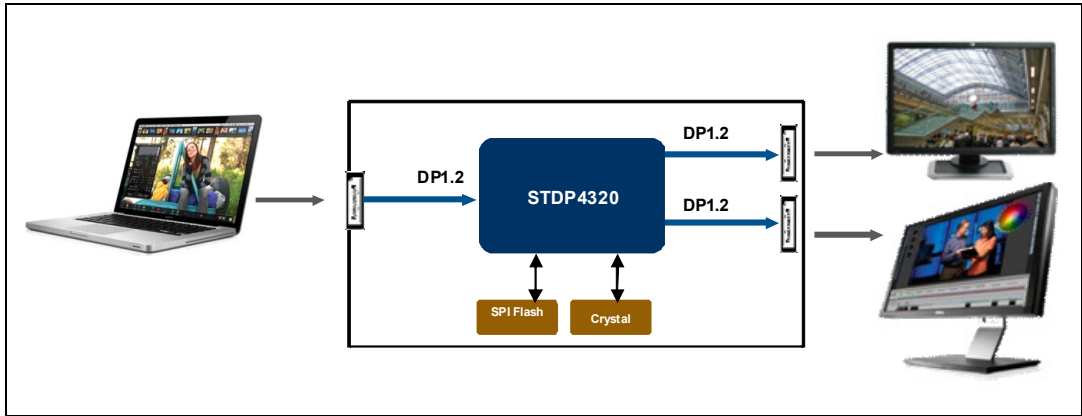
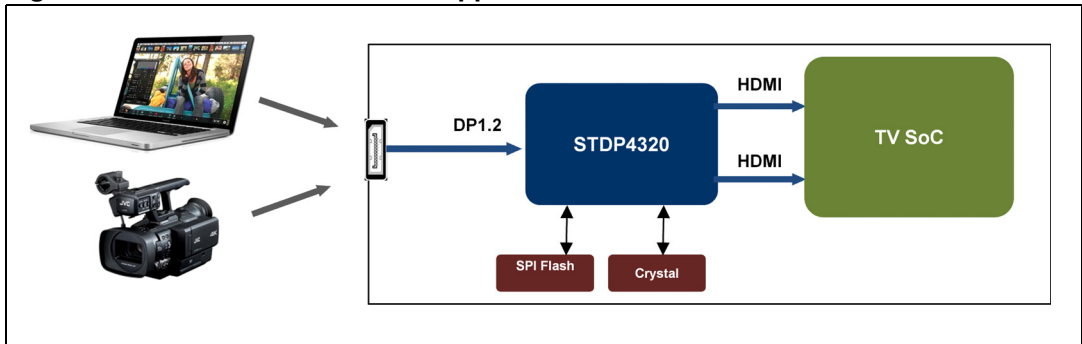


Figure 2. STDP4320 in 4K2K TV application



3 Feature attributes

3.1 Input interface

- Single DP++ interface featuring
 - DisplayPort Ver. 1.2a compliant receiver; supports MyDP
 - HDMI 1.4 compliant receiver
- Main link configuration
 - SST or MST (up to eight streams)
 - HBR2/HBR/RBR link rate
 - 1, 2, or 4 lanes
- AUX CH: 1 Mbps Manchester transaction format
- HPD: IRQ_HPD assertion
- Video: EDID 1.4 and CEA861 video timing and formats from 24 to 48 bits/pixel in RGB, YCC422, or YCC444 colorimetry
- Audio: DisplayPort 1.2a standard info frame packets and IEC60958/61937 type audio stream packets ranging from 16 to 24 bits/sample, 32 to 192 kHz sample rates
- HDMI link rate: 3.2 Gbps/data pair max

3.2 Output interface

- Two DP++ interfaces featuring
 - AC coupled DisplayPort Ver. 1.2a compliant transmitter
 - AC coupled HDMI 1.4 transmitter
- DP main link configuration
 - SST or MST (up to eight streams)
 - HBR2/HBR/RBR link rate
 - 1, 2, or 4 lanes
- AUX CH: Manchester transaction format
- HPD: IRQ_HPD assertion
- Video: EDID 1.4 and CEA861 video timing and formats from 24 to 48 bits/pixel in RGB, YCC422, or YCC444 colorimetry
- Audio: DisplayPort 1.2a standard info frame packets and IEC60958/61937 type audio stream packets ranging from 16 to 24 bits/sample, 32 to 192 kHz sample rates
- HDMI link rate: 3.2 Gbps/data pair max

3.3 Supported video timings

- 4K2K 60 Hz: 24 bits/pixel in DP 1.2a configuration
- 1920 x 1080 (FHD) 240 Hz, 24 bits/pixel
- All 3D formats defined in DP 1.2a and HDMI 1.4 standards
- All standard CEA861 timing formats

3.4 Supported audio timings

- All audio formats as specified in DP 1.2a and HDMI 1.4 standards
- SPDIF; 2-Ch LPCM, AC3, DTS, bit depth up to 24 bits, sample rate up to 192 kHz

3.5 Control channel interfaces

- AUX CH, DDC, I2C host interface, and UART (UART for test/debug purposes only)

3.6 HDCP 1.3 support

- Key sets for DP/HDMI RX and DP/HDMI TX integrated in one-time programmable ROM (OTP)
- Standalone HDCP repeater capability

3.7 Package

- 172 LFBGA (12 x 12 mm), 0.8 ball pitch

3.8 Power supply voltages

- 3.3 V I/O; 1.2 V core

3.9 ESD

- 2 KV HBM, 500 V CDM

4 Ordering information

Table 1. Order codes

Part number	Description
STDP4320	172 LFBGA (12 x 12 mm)

In order to meet environmental requirements, ST offers these devices in different grades of ECOPACK® packages, depending on their level of environmental compliance. ECOPACK® specifications, grade definitions and product status are available at: www.st.com. ECOPACK® is an ST trademark.

5 Revision history

Table 2. Document revision history

Date	Revision	Changes
02-Oct-2012	1	Initial release.

Please Read Carefully:

Information in this document is provided solely in connection with ST products. STMicroelectronics NV and its subsidiaries ("ST") reserve the right to make changes, corrections, modifications or improvements, to this document, and the products and services described herein at any time, without notice.

All ST products are sold pursuant to ST's terms and conditions of sale.

Purchasers are solely responsible for the choice, selection and use of the ST products and services described herein, and ST assumes no liability whatsoever relating to the choice, selection or use of the ST products and services described herein.

No license, express or implied, by estoppel or otherwise, to any intellectual property rights is granted under this document. If any part of this document refers to any third party products or services it shall not be deemed a license grant by ST for the use of such third party products or services, or any intellectual property contained therein or considered as a warranty covering the use in any manner whatsoever of such third party products or services or any intellectual property contained therein.

UNLESS OTHERWISE SET FORTH IN ST'S TERMS AND CONDITIONS OF SALE ST DISCLAIMS ANY EXPRESS OR IMPLIED WARRANTY WITH RESPECT TO THE USE AND/OR SALE OF ST PRODUCTS INCLUDING WITHOUT LIMITATION IMPLIED WARRANTIES OF MERCHANTABILITY, FITNESS FOR A PARTICULAR PURPOSE (AND THEIR EQUIVALENTS UNDER THE LAWS OF ANY JURISDICTION), OR INFRINGEMENT OF ANY PATENT, COPYRIGHT OR OTHER INTELLECTUAL PROPERTY RIGHT.

UNLESS EXPRESSLY APPROVED IN WRITING BY TWO AUTHORIZED ST REPRESENTATIVES, ST PRODUCTS ARE NOT RECOMMENDED, AUTHORIZED OR WARRANTED FOR USE IN MILITARY, AIR CRAFT, SPACE, LIFE SAVING, OR LIFE SUSTAINING APPLICATIONS, NOR IN PRODUCTS OR SYSTEMS WHERE FAILURE OR MALFUNCTION MAY RESULT IN PERSONAL INJURY, DEATH, OR SEVERE PROPERTY OR ENVIRONMENTAL DAMAGE. ST PRODUCTS WHICH ARE NOT SPECIFIED AS "AUTOMOTIVE GRADE" MAY ONLY BE USED IN AUTOMOTIVE APPLICATIONS AT USER'S OWN RISK.

Resale of ST products with provisions different from the statements and/or technical features set forth in this document shall immediately void any warranty granted by ST for the ST product or service described herein and shall not create or extend in any manner whatsoever, any liability of ST.

ST and the ST logo are trademarks or registered trademarks of ST in various countries.

Information in this document supersedes and replaces all information previously supplied.

The ST logo is a registered trademark of STMicroelectronics. All other names are the property of their respective owners.

© 2012 STMicroelectronics - All rights reserved

STMicroelectronics group of companies

Australia - Belgium - Brazil - Canada - China - Czech Republic - Finland - France - Germany - Hong Kong - India - Israel - Italy - Japan - Malaysia - Malta - Morocco - Philippines - Singapore - Spain - Sweden - Switzerland - United Kingdom - United States of America

www.st.com