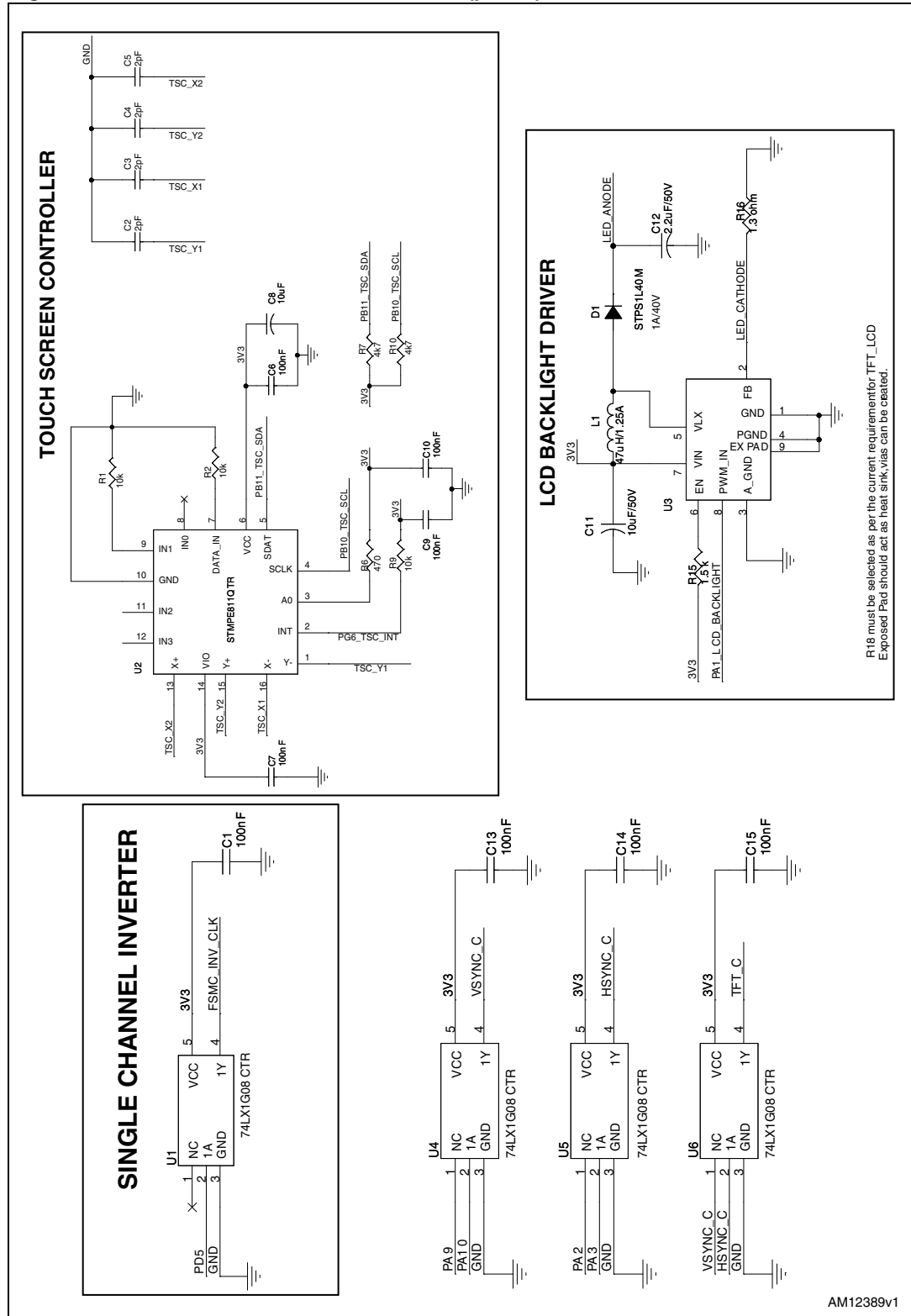


# STEVAL-CCM004V1

# Schematic

Figure 1. STEVAL-CCM004V1 schematic (part 1)



AM12389v1

**Figure 2. STEVAL-CCM004V1 schematic (part 2)**

AM12390v1

