



## STEVAL-ICB008V1

### Touch-sensing software library demonstration board based on the STM8S

Data brief

#### Features

- Small outline with high density demonstration functions
- Powered by USB port without extra specific equipment/cable
- Two demonstration modes: offline and online
- Direct configuration for demonstration board via PC software
- Touchpad information logging on PC
- SWIM port reserved for debug use
- RoHS compliant

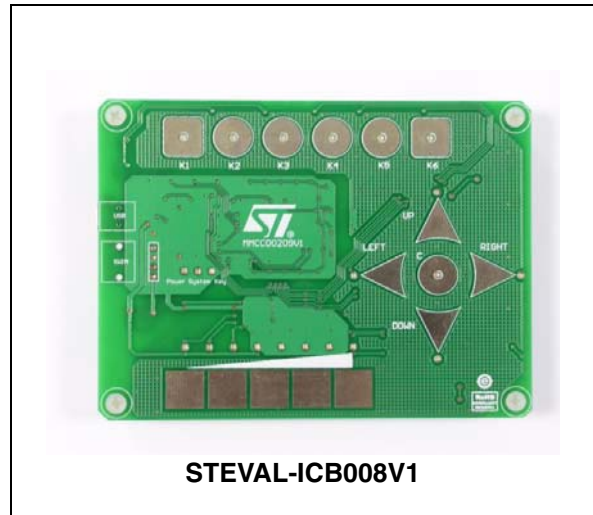
#### Description

The STEVAL-ICB008V1 demonstration board is designed on the STM8S RC touch solution enabling users to better understand the functions and performance of STMicroelectronics capacitive touch-sensing. The complete demonstration kit consists of 3 parts: an evaluation board, a PC GUI program and a USB cable (standard-B to mini-B).

Powered by the USB port of the PC, the board can be demonstrated in standalone. 19 LEDs are used to indicate touchpad information, including 11 keys and 1 slider. In addition, there are another 3 LEDs on the board indicating the system general status.

With a PC GUI program, the STM8S RC touch solution provides a simple platform to monitor more detailed information as well as configure critical parameters of the touch-sensing process.

For further details about the solution, please read the technical documentation available on [www.st.com/touch-sense-sw-lib/](http://www.st.com/touch-sense-sw-lib/).



# 1 Circuit schematic

Figure 1. Touchkey and driven shield, MCU, USB to UART

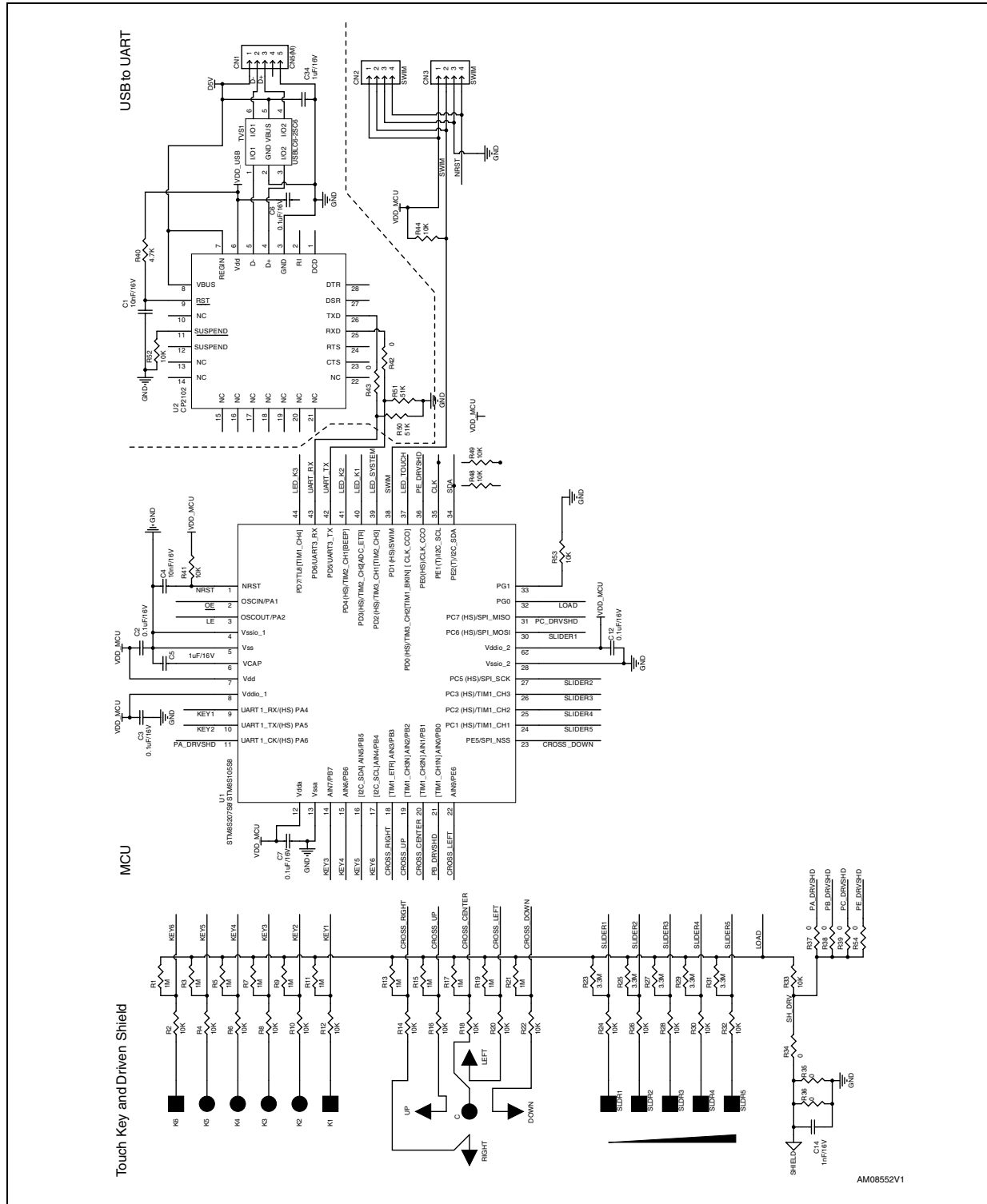


Figure 2. LED indicator

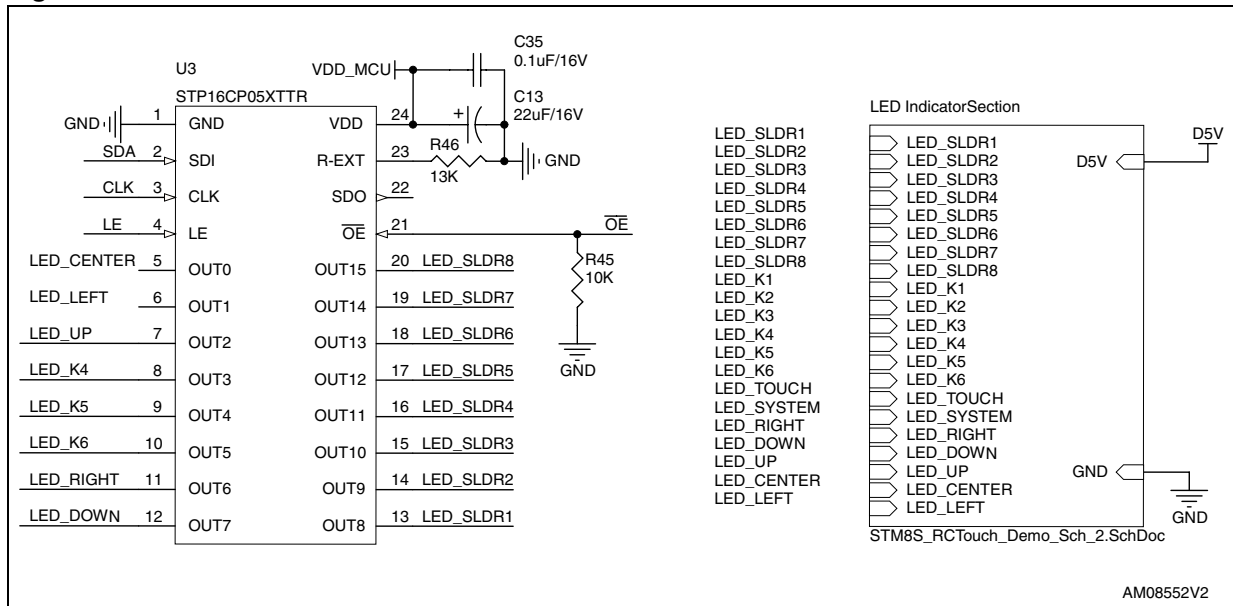


Figure 3. Power supply

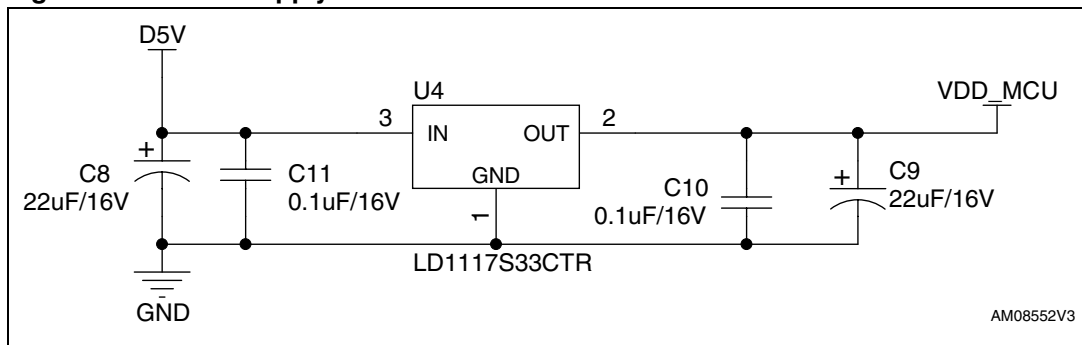
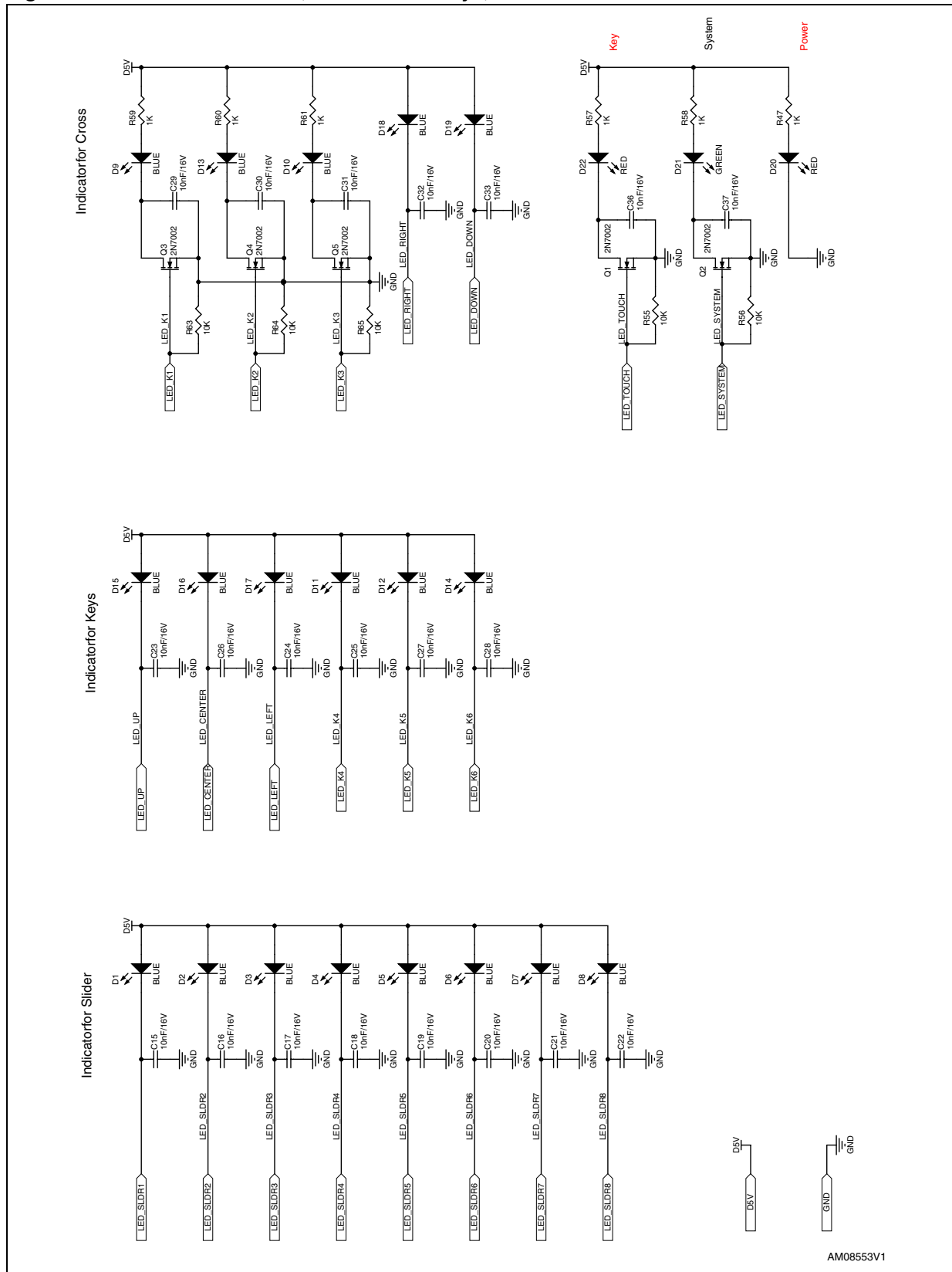


Figure 4. Indicator for slider, indicator for keys, and indicator for cross schematics



## 2 Revision history

Table 1. Document revision history

Date	Revision	Changes
18-Nov-2010	1	Initial release.

**Please Read Carefully:**

Information in this document is provided solely in connection with ST products. STMicroelectronics NV and its subsidiaries ("ST") reserve the right to make changes, corrections, modifications or improvements, to this document, and the products and services described herein at any time, without notice.

All ST products are sold pursuant to ST's terms and conditions of sale.

Purchasers are solely responsible for the choice, selection and use of the ST products and services described herein, and ST assumes no liability whatsoever relating to the choice, selection or use of the ST products and services described herein.

No license, express or implied, by estoppel or otherwise, to any intellectual property rights is granted under this document. If any part of this document refers to any third party products or services it shall not be deemed a license grant by ST for the use of such third party products or services, or any intellectual property contained therein or considered as a warranty covering the use in any manner whatsoever of such third party products or services or any intellectual property contained therein.

**UNLESS OTHERWISE SET FORTH IN ST'S TERMS AND CONDITIONS OF SALE ST DISCLAIMS ANY EXPRESS OR IMPLIED WARRANTY WITH RESPECT TO THE USE AND/OR SALE OF ST PRODUCTS INCLUDING WITHOUT LIMITATION IMPLIED WARRANTIES OF MERCHANTABILITY, FITNESS FOR A PARTICULAR PURPOSE (AND THEIR EQUIVALENTS UNDER THE LAWS OF ANY JURISDICTION), OR INFRINGEMENT OF ANY PATENT, COPYRIGHT OR OTHER INTELLECTUAL PROPERTY RIGHT.**

**UNLESS EXPRESSLY APPROVED IN WRITING BY AN AUTHORIZED ST REPRESENTATIVE, ST PRODUCTS ARE NOT RECOMMENDED, AUTHORIZED OR WARRANTED FOR USE IN MILITARY, AIR CRAFT, SPACE, LIFE SAVING, OR LIFE SUSTAINING APPLICATIONS, NOR IN PRODUCTS OR SYSTEMS WHERE FAILURE OR MALFUNCTION MAY RESULT IN PERSONAL INJURY, DEATH, OR SEVERE PROPERTY OR ENVIRONMENTAL DAMAGE. ST PRODUCTS WHICH ARE NOT SPECIFIED AS "AUTOMOTIVE GRADE" MAY ONLY BE USED IN AUTOMOTIVE APPLICATIONS AT USER'S OWN RISK.**

Resale of ST products with provisions different from the statements and/or technical features set forth in this document shall immediately void any warranty granted by ST for the ST product or service described herein and shall not create or extend in any manner whatsoever, any liability of ST.

ST and the ST logo are trademarks or registered trademarks of ST in various countries.

Information in this document supersedes and replaces all information previously supplied.

The ST logo is a registered trademark of STMicroelectronics. All other names are the property of their respective owners.

© 2010 STMicroelectronics - All rights reserved

STMicroelectronics group of companies

Australia - Belgium - Brazil - Canada - China - Czech Republic - Finland - France - Germany - Hong Kong - India - Israel - Italy - Japan - Malaysia - Malta - Morocco - Philippines - Singapore - Spain - Sweden - Switzerland - United Kingdom - United States of America

[www.st.com](http://www.st.com)