



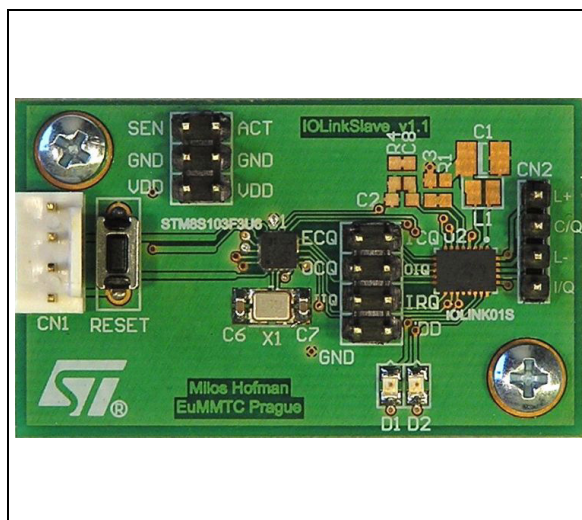
STEVAL-IFP013V1

IO-Link device demonstration board
based on the STM8S103F3 and L6362

Data brief

Features

- IO-Link device - sensor/actuator functionality
- Three-wire connection
- Supports all communication speeds: COM1, COM2 and COM3 (4.8, 38.4 and 230 kbps)
- Additional digital input/output
- I²C communication between STM8S103F3 and L6362 physical layer
- Fully protected solution (overvoltage, short-circuit, overtemperature)
- Supply voltage: 8 - 32.5 VDC
- Selectable system supply voltage: 5 V / 3.3 V with integrated voltage regulator
- Dual LED diagnostics
- Integrated surge protection in accordance with IEC61000-4-5/500 Ω impedance
- IO-Link communication stack implemented by MESCO engineering
- Compact solution - small component count
- 11.059 MHz system clock ($\pm 2\%$)
- RoHS compliant



The IO-Link device software stack is available from MESCO engineering GmbH.

Description

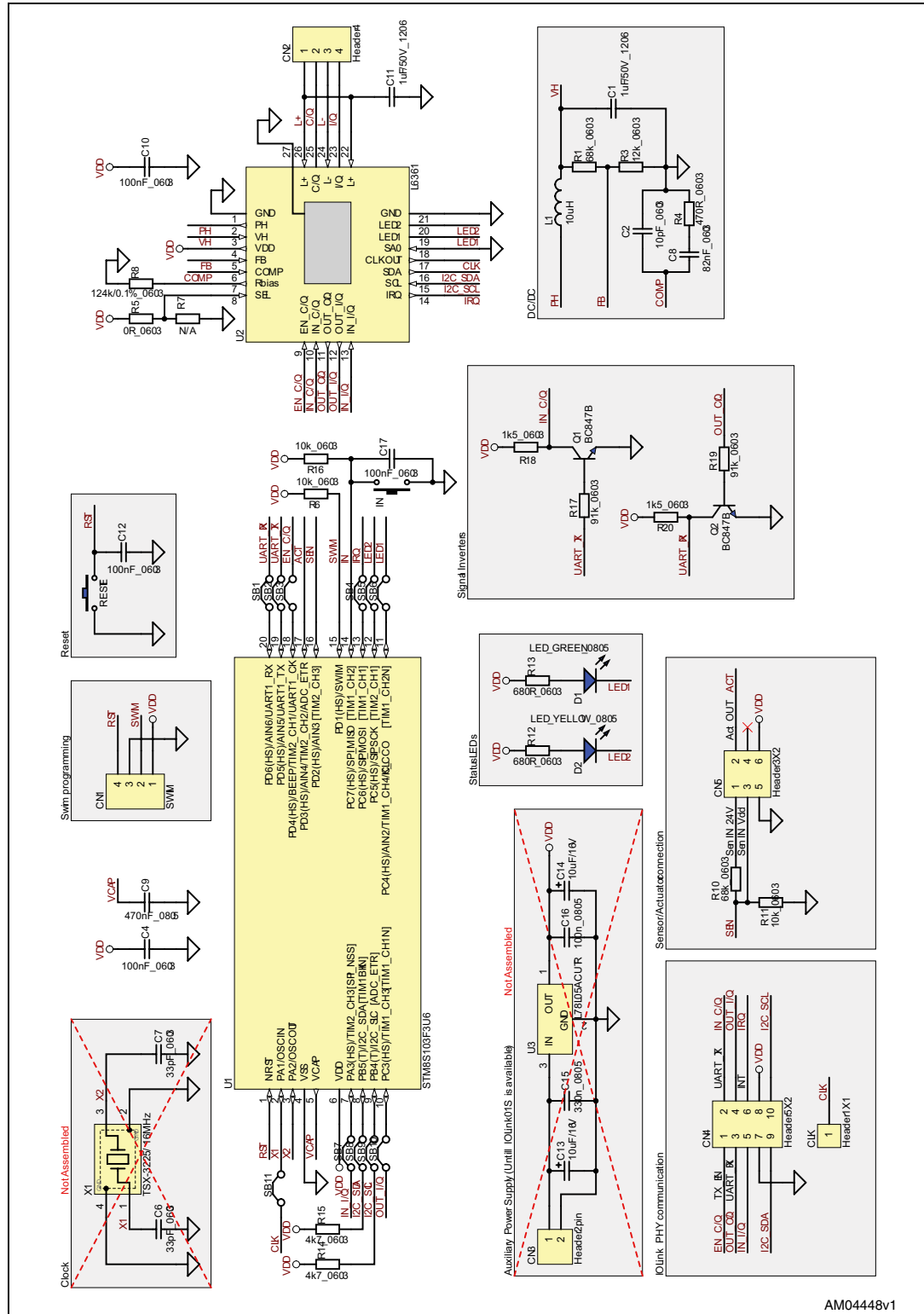
The STEVAL-IFP013V1 demonstration board provides a platform for demonstrating an IO-Link device node. Depending on the firmware used, the design can function either as a sensor or as an actuator.

The application is designed to allow evaluation of an IO-Link physical layer (L6362) controlled by an 8 bit microcontroller (STM8S103F3), or a complete IO-Link device application.

The CDROM included with the demonstration board contains two firmware codes (STVD projects). The first code sets the application to binary sensor mode, while the other works as a binary actuator. Both support the SIO (serial input/output) communication mode only.

1 Circuit schematics

Figure 1. Schematic diagrams



AM04448v1

2 Revision history

Table 1. Document revision history

| Date | Revision | Changes |
|-------------|----------|------------------|
| 22-Jul-2009 | 1 | Initial release. |

Please Read Carefully:

Information in this document is provided solely in connection with ST products. STMicroelectronics NV and its subsidiaries ("ST") reserve the right to make changes, corrections, modifications or improvements, to this document, and the products and services described herein at any time, without notice.

All ST products are sold pursuant to ST's terms and conditions of sale.

Purchasers are solely responsible for the choice, selection and use of the ST products and services described herein, and ST assumes no liability whatsoever relating to the choice, selection or use of the ST products and services described herein.

No license, express or implied, by estoppel or otherwise, to any intellectual property rights is granted under this document. If any part of this document refers to any third party products or services it shall not be deemed a license grant by ST for the use of such third party products or services, or any intellectual property contained therein or considered as a warranty covering the use in any manner whatsoever of such third party products or services or any intellectual property contained therein.

UNLESS OTHERWISE SET FORTH IN ST'S TERMS AND CONDITIONS OF SALE ST DISCLAIMS ANY EXPRESS OR IMPLIED WARRANTY WITH RESPECT TO THE USE AND/OR SALE OF ST PRODUCTS INCLUDING WITHOUT LIMITATION IMPLIED WARRANTIES OF MERCHANTABILITY, FITNESS FOR A PARTICULAR PURPOSE (AND THEIR EQUIVALENTS UNDER THE LAWS OF ANY JURISDICTION), OR INFRINGEMENT OF ANY PATENT, COPYRIGHT OR OTHER INTELLECTUAL PROPERTY RIGHT.

UNLESS EXPRESSLY APPROVED IN WRITING BY AN AUTHORIZED ST REPRESENTATIVE, ST PRODUCTS ARE NOT RECOMMENDED, AUTHORIZED OR WARRANTED FOR USE IN MILITARY, AIR CRAFT, SPACE, LIFE SAVING, OR LIFE SUSTAINING APPLICATIONS, NOR IN PRODUCTS OR SYSTEMS WHERE FAILURE OR MALFUNCTION MAY RESULT IN PERSONAL INJURY, DEATH, OR SEVERE PROPERTY OR ENVIRONMENTAL DAMAGE. ST PRODUCTS WHICH ARE NOT SPECIFIED AS "AUTOMOTIVE GRADE" MAY ONLY BE USED IN AUTOMOTIVE APPLICATIONS AT USER'S OWN RISK.

Resale of ST products with provisions different from the statements and/or technical features set forth in this document shall immediately void any warranty granted by ST for the ST product or service described herein and shall not create or extend in any manner whatsoever, any liability of ST.

ST and the ST logo are trademarks or registered trademarks of ST in various countries.

Information in this document supersedes and replaces all information previously supplied.

The ST logo is a registered trademark of STMicroelectronics. All other names are the property of their respective owners.

© 2009 STMicroelectronics - All rights reserved

STMicroelectronics group of companies

Australia - Belgium - Brazil - Canada - China - Czech Republic - Finland - France - Germany - Hong Kong - India - Israel - Italy - Japan - Malaysia - Malta - Morocco - Philippines - Singapore - Spain - Sweden - Switzerland - United Kingdom - United States of America

www.st.com