



STEVAL-IFS005V1

Metal body proximity detector based on the TDA0161

Data Brief

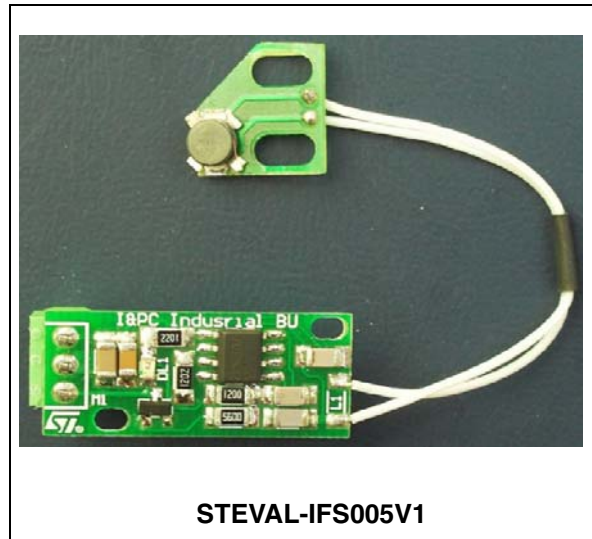
Features

- 10 mA output current
- Supply voltage +4 V to +35 V
- Oscillator frequency 10 MHz

Description

This evaluation board is based on the TDA0161, a monolithic integrated circuit designed for metallic body detection by sensing variations in high frequency eddy current losses. Using an externally-tuned circuit, device acts as an oscillator. The output signal level is altered by an approaching metallic object.

The output signal is determined by supply current changes. Independent of the supply voltage, this current is high or low, depending on the proximity of a metallic object.



STEVAL-IFS005V1

1 Bill of material and electrical schematic

1.1 Bill of material

Table 1. BOM list

Component	Value	Description
C1	470pF	SMD capacitor 1206 size
C2	470 pF	SMD capacitor 1206 size
C3	1nF LV	SMD capacitor 1206 size
C4	0.1µF 50V	SMD capacitor 1206 size
C5	1µF 50V	SMD capacitor 1206 size
DL1	LED diode	LED diode 0805 size
IC1	TDA0161	TDA0161FP SO-8 package
L1	330µH	EPCOS B82462-A4334K ⁽¹⁾
M1	Screw plug 3 position	Sub miniaturization plug
Q1	MMBT3904	NPN transistor in SOT-23
R1	18kΩ	SMD resistor 1206 size
R2	120Ω	SMD resistor 1206 size
R3	560Ω	SMD resistor 1206 size
R4	2.2kΩ	SMD resistor 1206 size

1. This component must be assembled on an external support PCB

1.2 Electrical schematics

Figure 1. Schematic

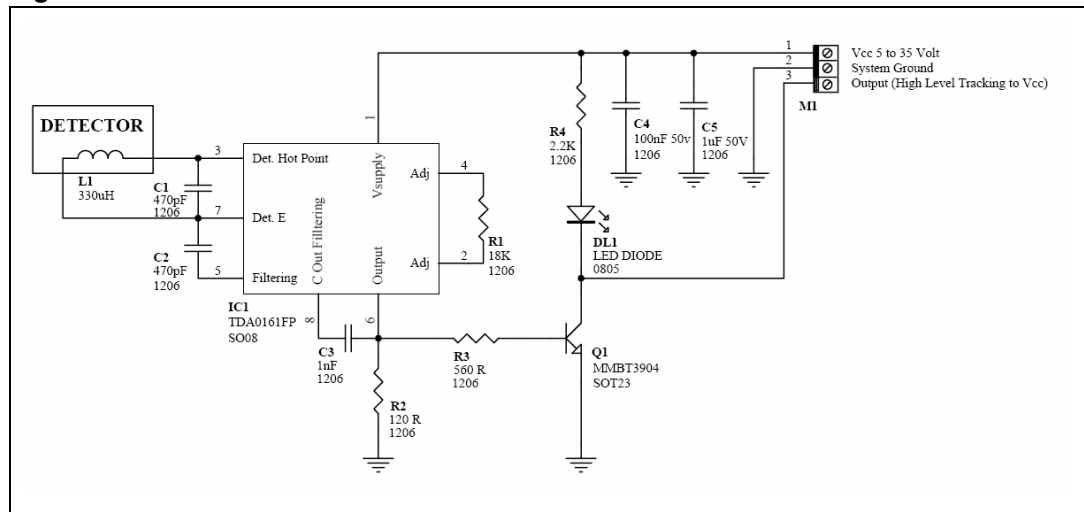


Figure 2. Top overlay (not to scale)

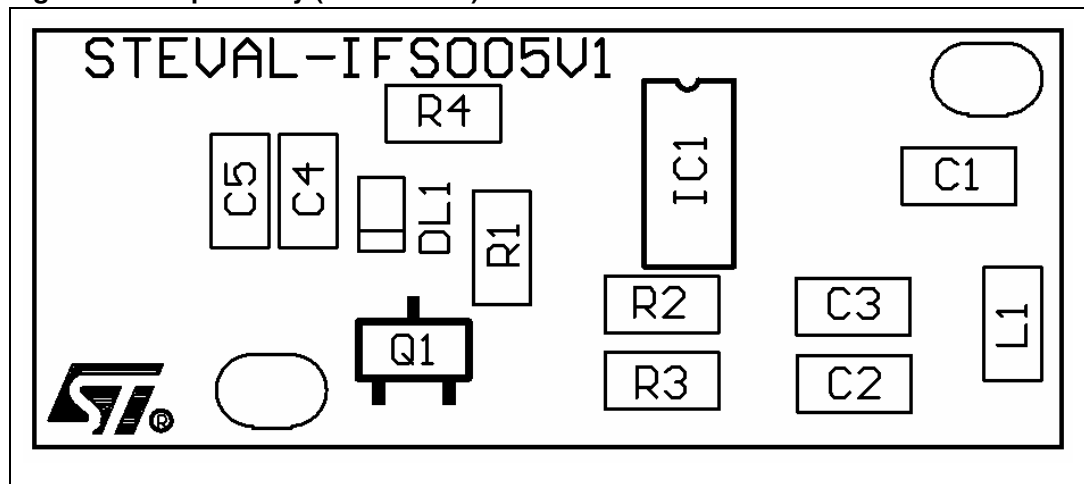
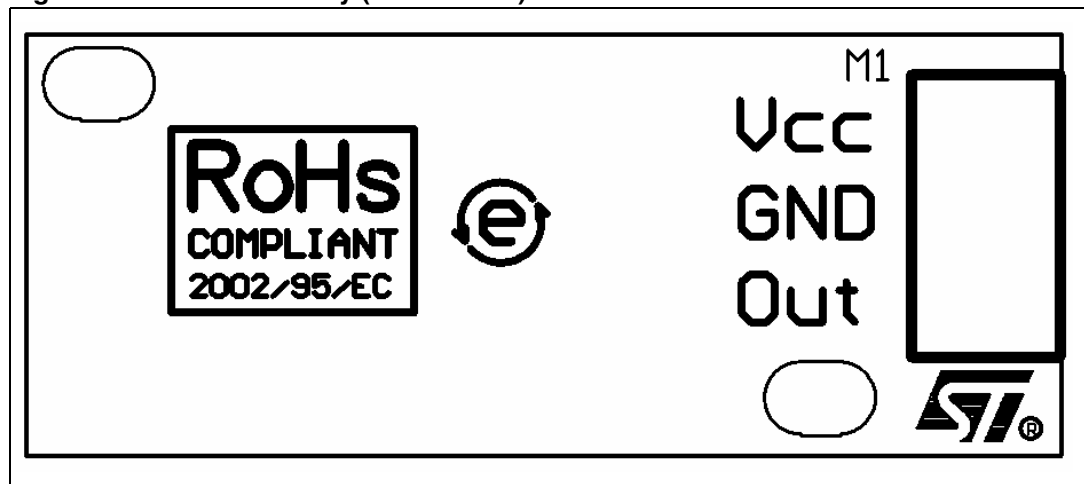


Figure 3. Bottom overlay (not to scale)



2 Revision history

Table 2. Document revision history

Date	Revision	Changes
02-Apr-2008	1	Initial release

Please Read Carefully:

Information in this document is provided solely in connection with ST products. STMicroelectronics NV and its subsidiaries ("ST") reserve the right to make changes, corrections, modifications or improvements, to this document, and the products and services described herein at any time, without notice.

All ST products are sold pursuant to ST's terms and conditions of sale.

Purchasers are solely responsible for the choice, selection and use of the ST products and services described herein, and ST assumes no liability whatsoever relating to the choice, selection or use of the ST products and services described herein.

No license, express or implied, by estoppel or otherwise, to any intellectual property rights is granted under this document. If any part of this document refers to any third party products or services it shall not be deemed a license grant by ST for the use of such third party products or services, or any intellectual property contained therein or considered as a warranty covering the use in any manner whatsoever of such third party products or services or any intellectual property contained therein.

UNLESS OTHERWISE SET FORTH IN ST'S TERMS AND CONDITIONS OF SALE ST DISCLAIMS ANY EXPRESS OR IMPLIED WARRANTY WITH RESPECT TO THE USE AND/OR SALE OF ST PRODUCTS INCLUDING WITHOUT LIMITATION IMPLIED WARRANTIES OF MERCHANTABILITY, FITNESS FOR A PARTICULAR PURPOSE (AND THEIR EQUIVALENTS UNDER THE LAWS OF ANY JURISDICTION), OR INFRINGEMENT OF ANY PATENT, COPYRIGHT OR OTHER INTELLECTUAL PROPERTY RIGHT.

UNLESS EXPRESSLY APPROVED IN WRITING BY AN AUTHORIZED ST REPRESENTATIVE, ST PRODUCTS ARE NOT RECOMMENDED, AUTHORIZED OR WARRANTED FOR USE IN MILITARY, AIR CRAFT, SPACE, LIFE SAVING, OR LIFE SUSTAINING APPLICATIONS, NOR IN PRODUCTS OR SYSTEMS WHERE FAILURE OR MALFUNCTION MAY RESULT IN PERSONAL INJURY, DEATH, OR SEVERE PROPERTY OR ENVIRONMENTAL DAMAGE. ST PRODUCTS WHICH ARE NOT SPECIFIED AS "AUTOMOTIVE GRADE" MAY ONLY BE USED IN AUTOMOTIVE APPLICATIONS AT USER'S OWN RISK.

Resale of ST products with provisions different from the statements and/or technical features set forth in this document shall immediately void any warranty granted by ST for the ST product or service described herein and shall not create or extend in any manner whatsoever, any liability of ST.

ST and the ST logo are trademarks or registered trademarks of ST in various countries.

Information in this document supersedes and replaces all information previously supplied.

The ST logo is a registered trademark of STMicroelectronics. All other names are the property of their respective owners.

© 2008 STMicroelectronics - All rights reserved

STMicroelectronics group of companies

Australia - Belgium - Brazil - Canada - China - Czech Republic - Finland - France - Germany - Hong Kong - India - Israel - Italy - Japan - Malaysia - Malta - Morocco - Singapore - Spain - Sweden - Switzerland - United Kingdom - United States of America

www.st.com

