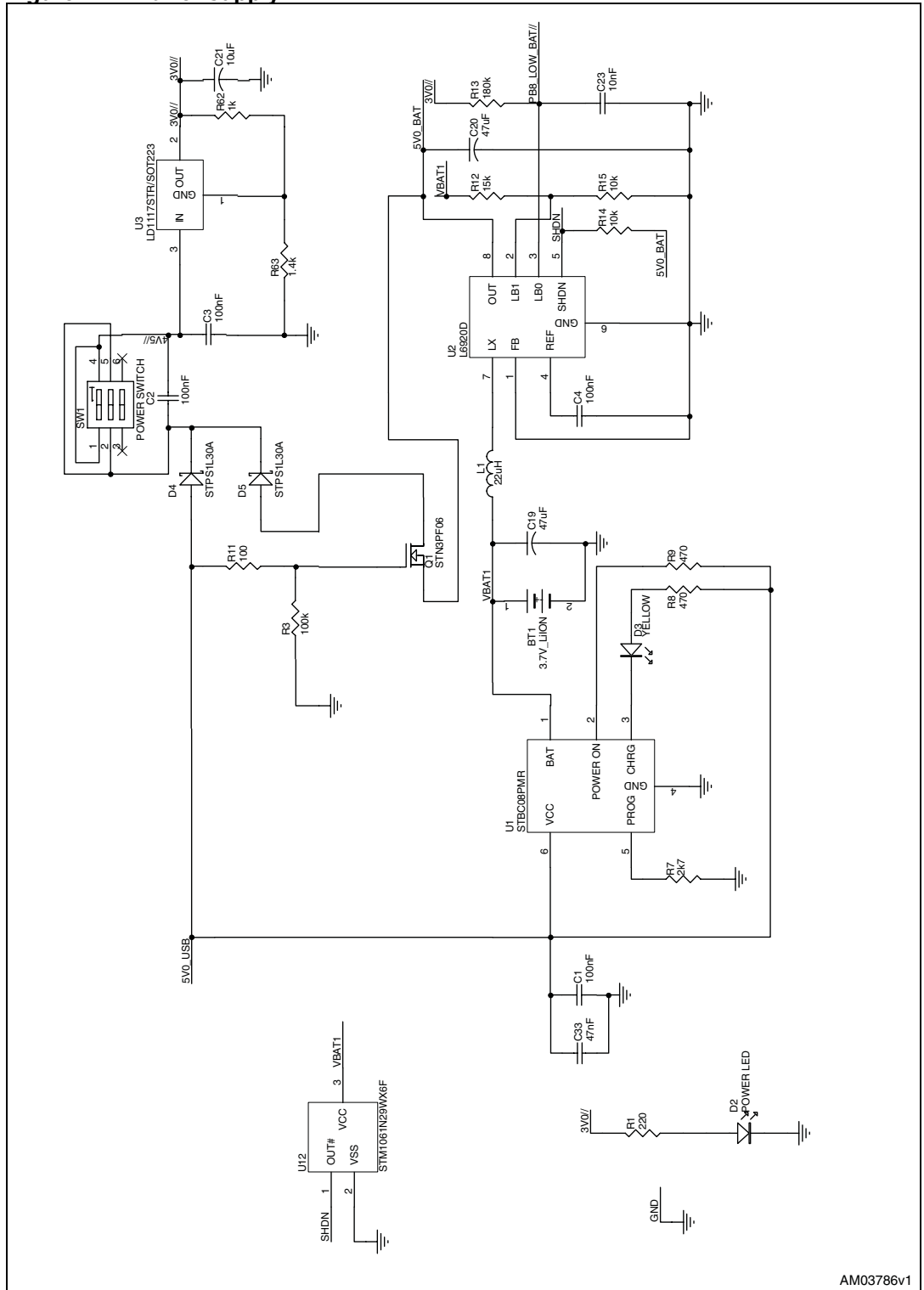


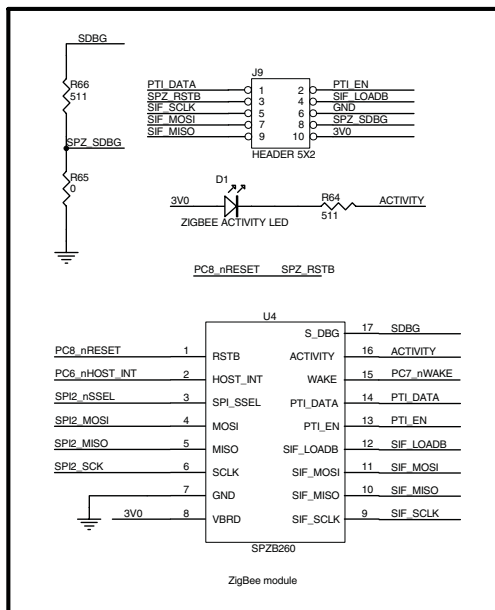
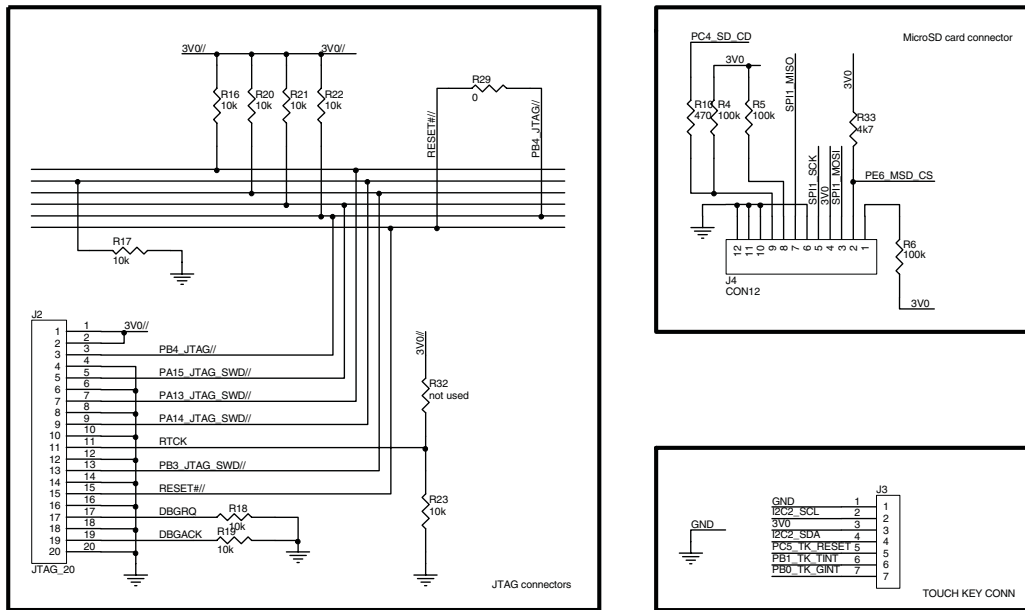
Figure 1. Power supply



AM03786V1



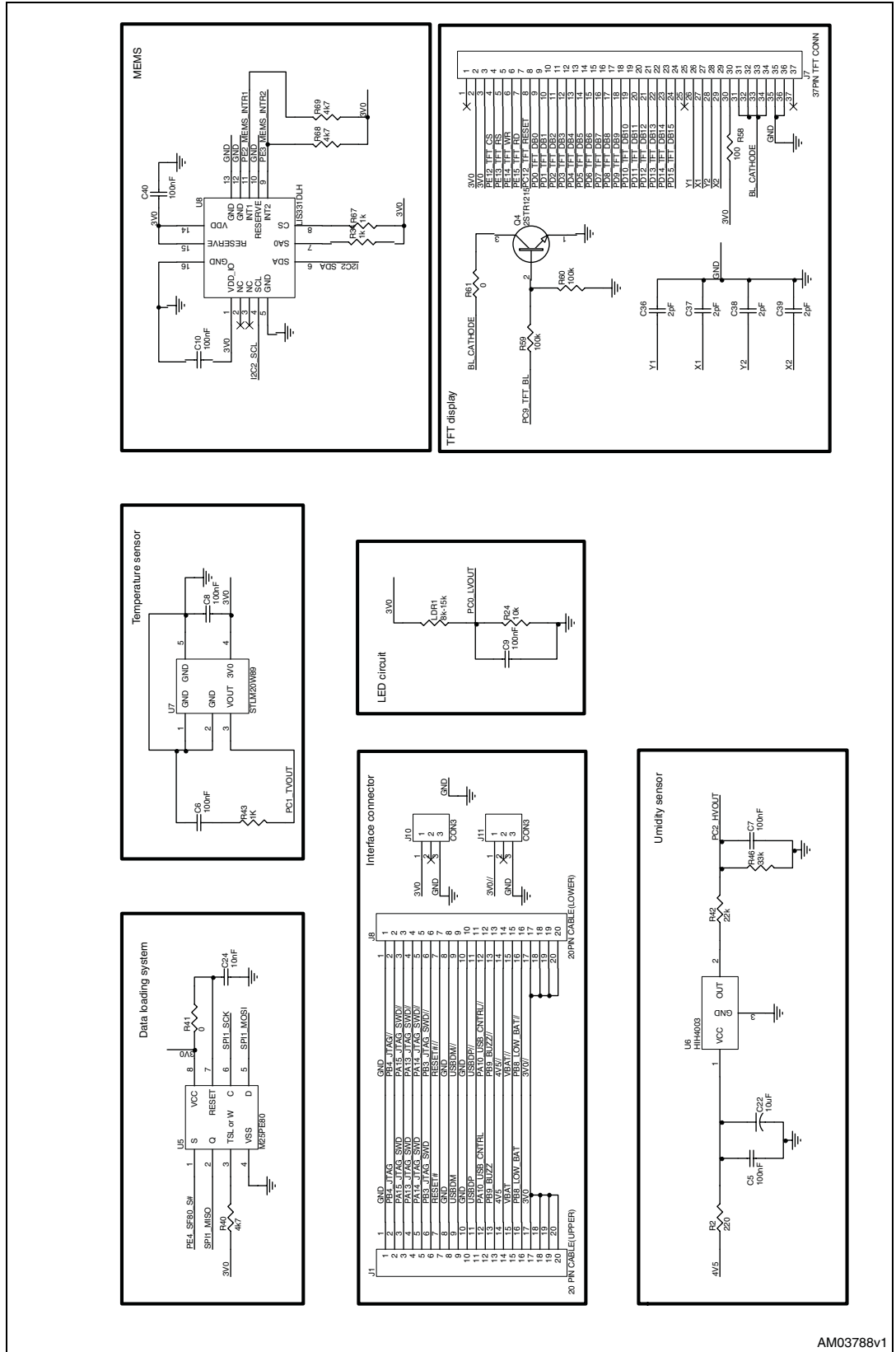
Figure 2. Connectors - ZigBee®, microSD and JTAG



AM03787v1



Figure 3. TFT displays, MEMS, memory and sensors

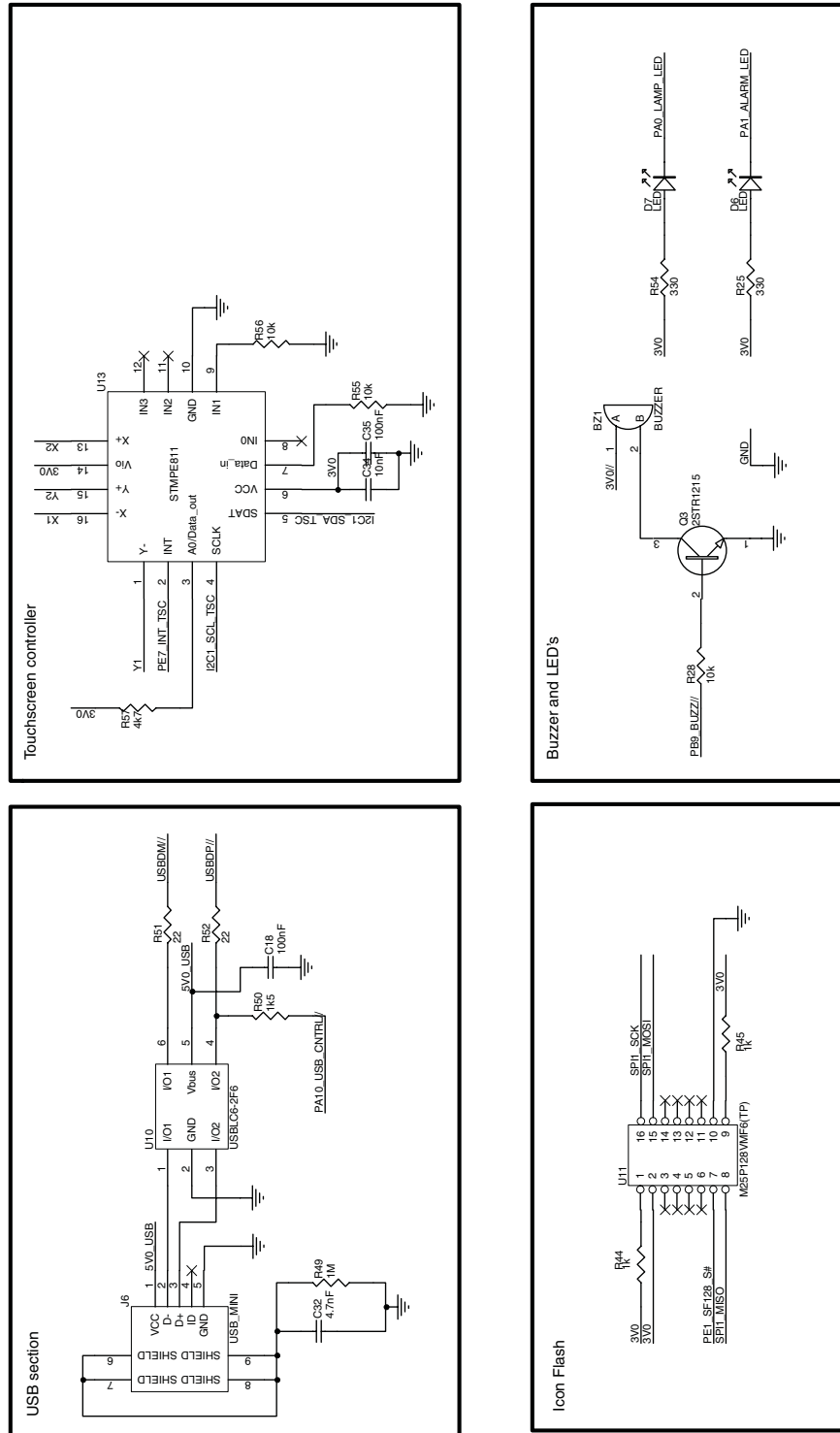


AM03788v1





Figure 5. USB, touchscreen controller, buzzer and memory



AM03790v1

