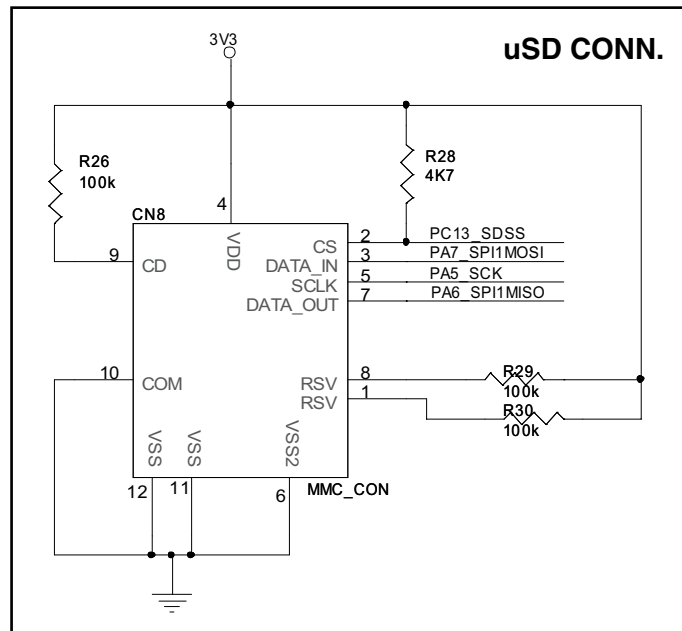
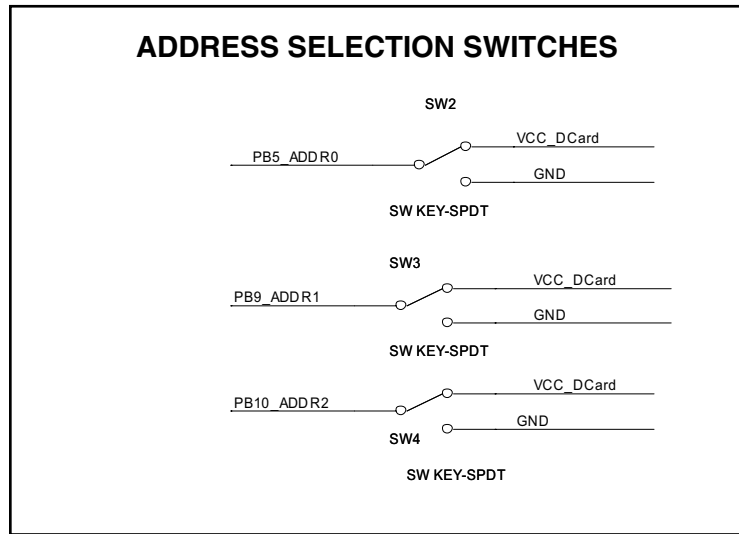




Figure 2. Schematic diagram (part 2)



AM11168v1

Figure 3. Schematic diagram (part 3)

