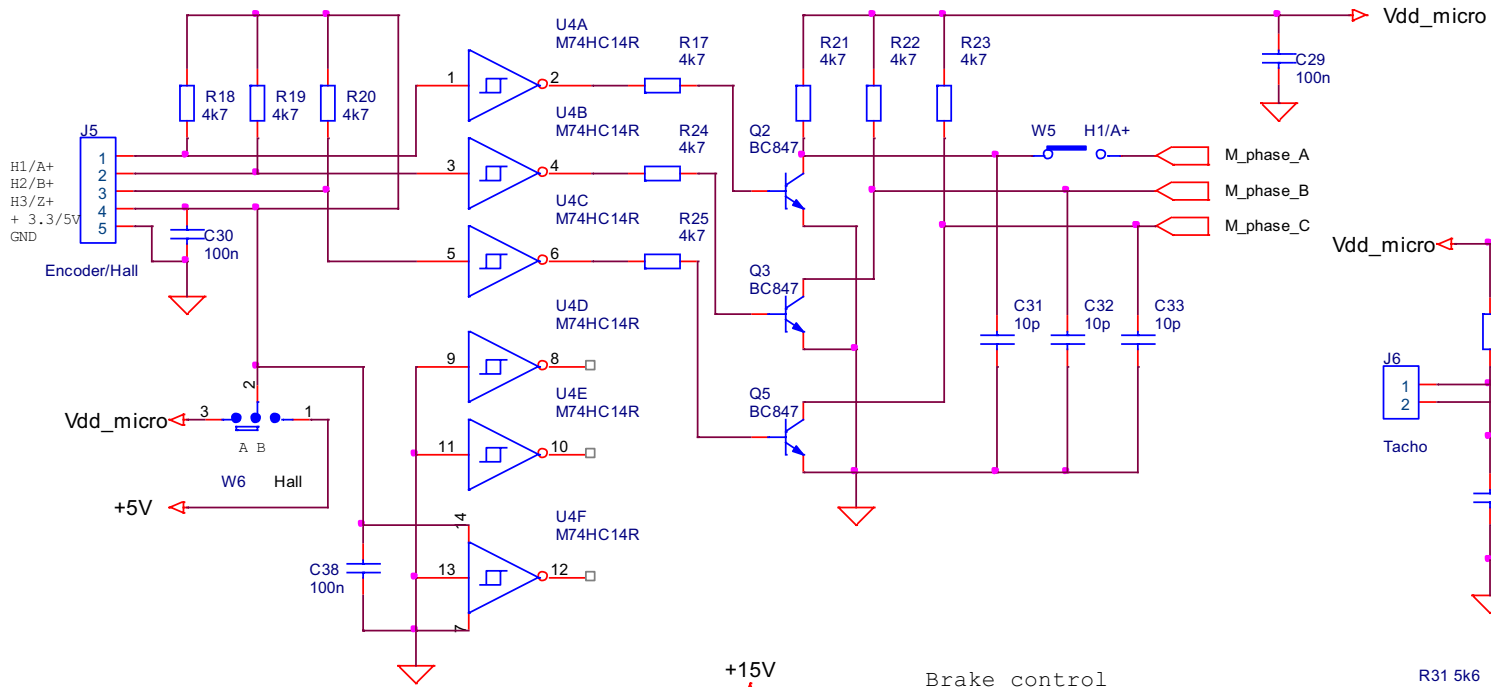
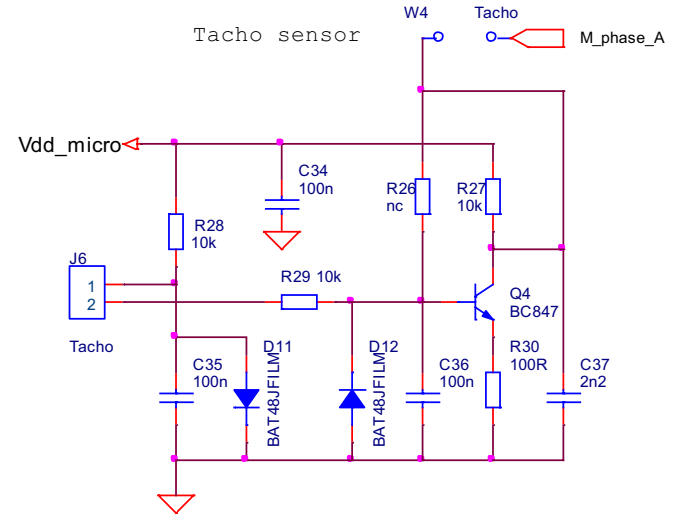


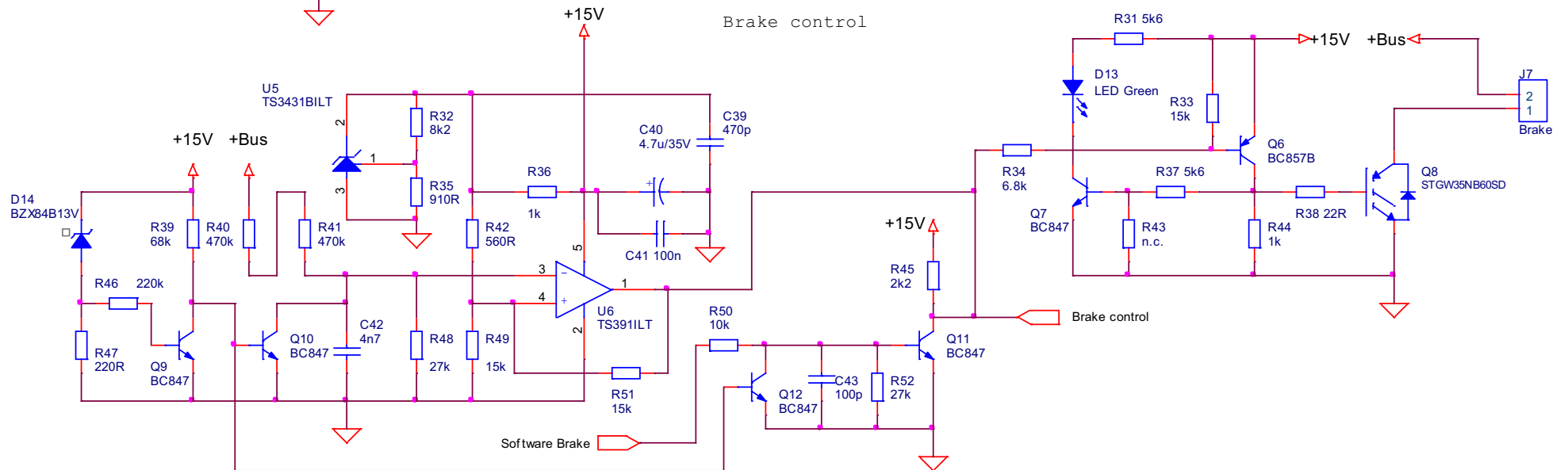
Hall/Encoder

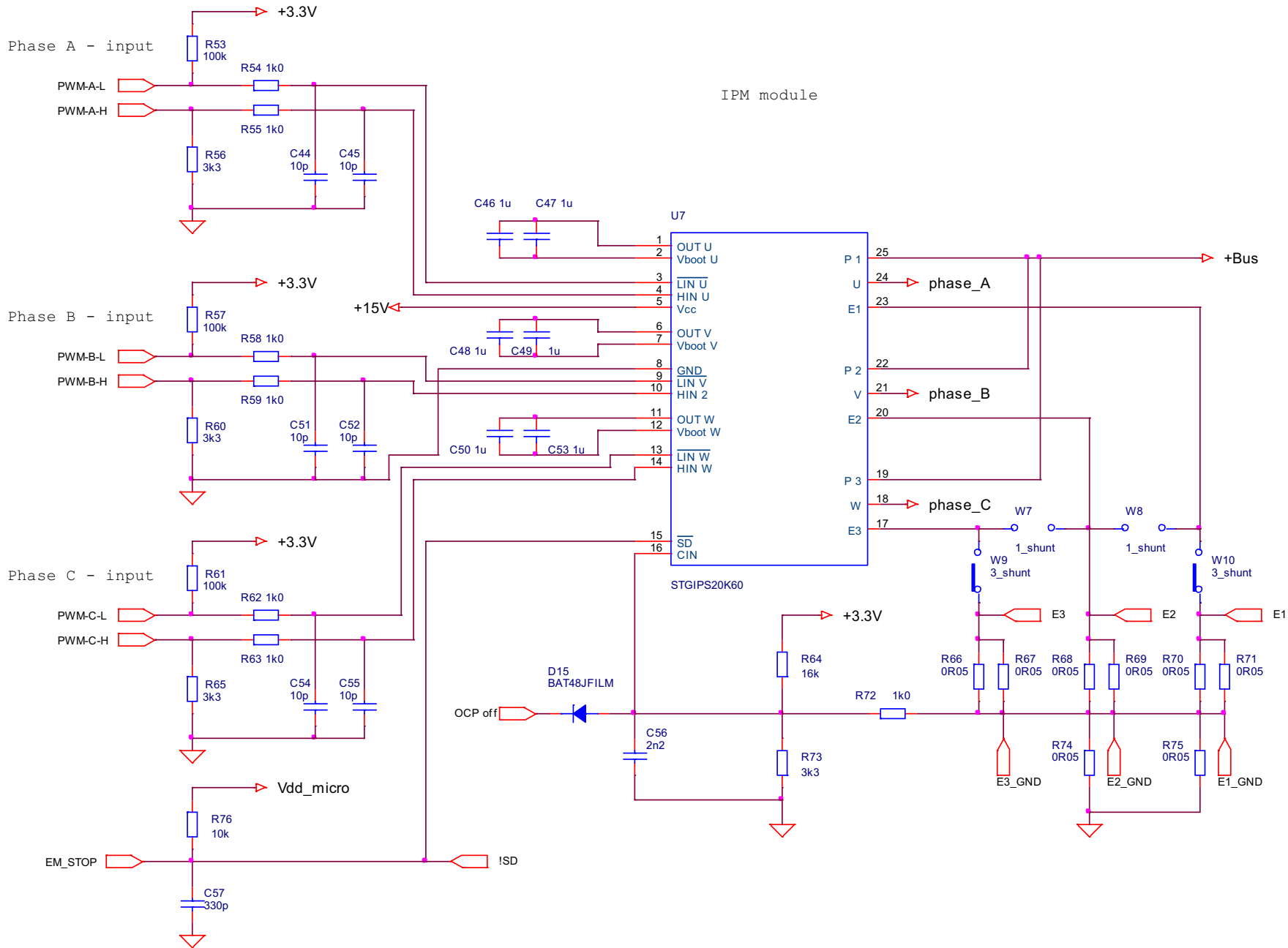


Tacho sensor

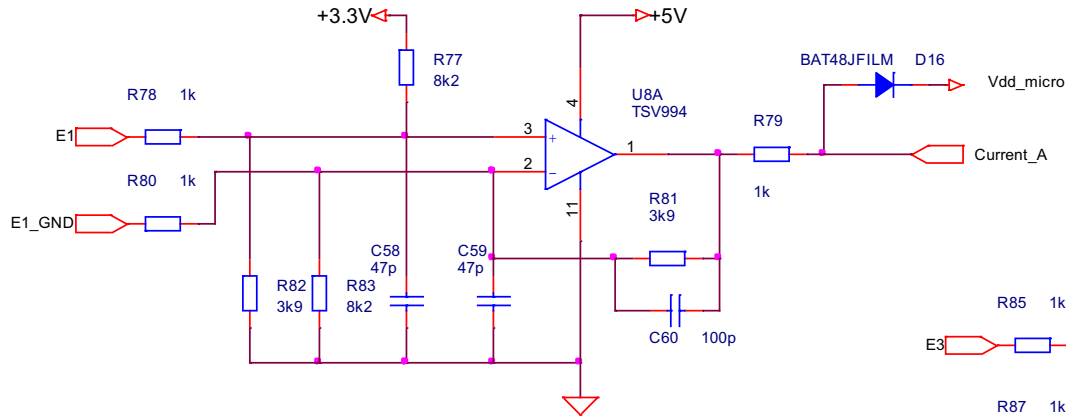


Brake control

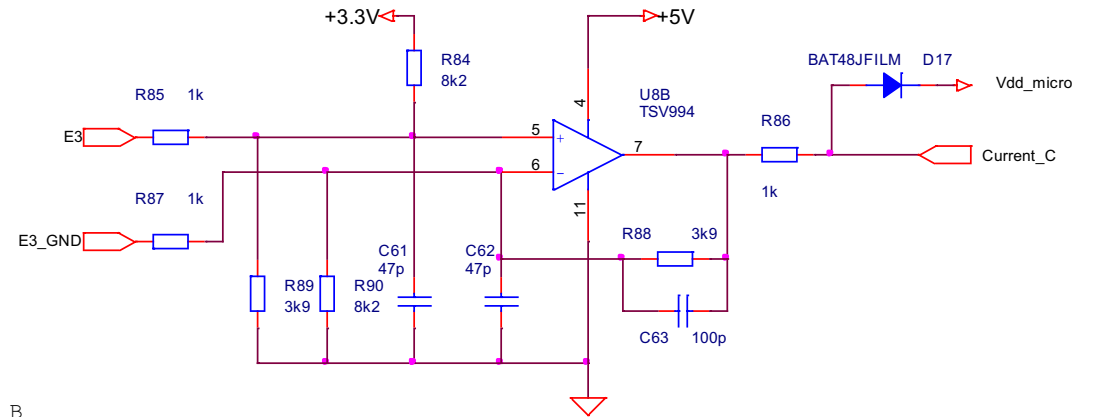




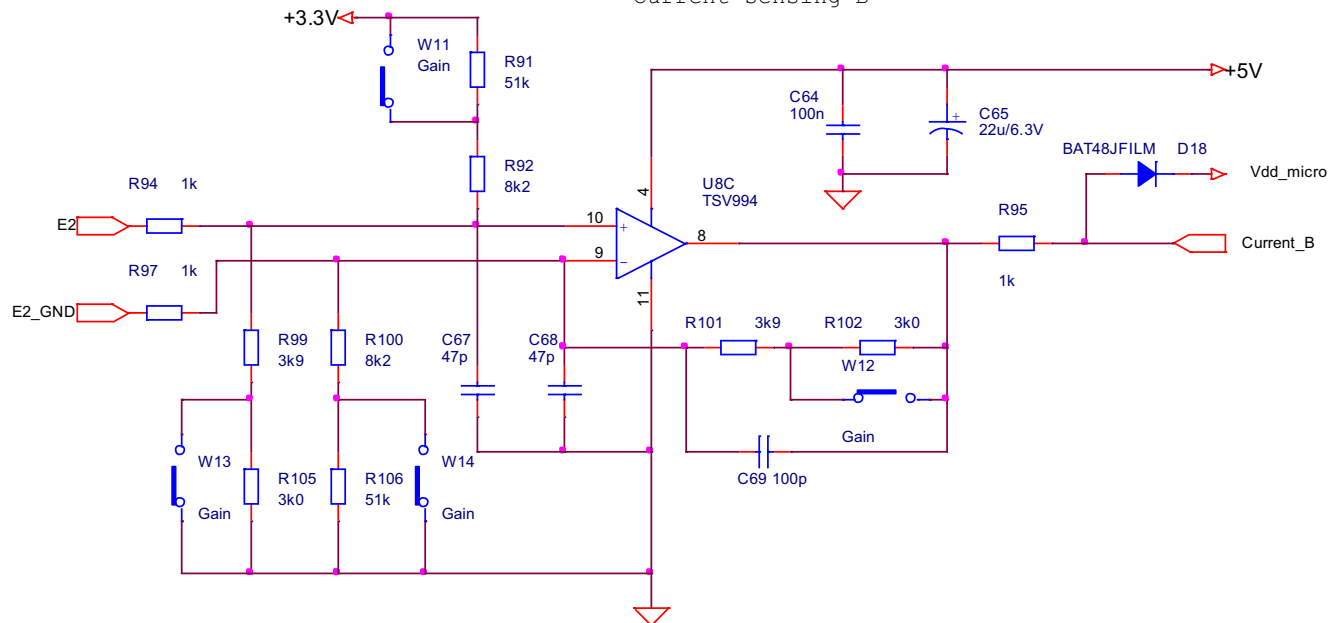
Current sensing A



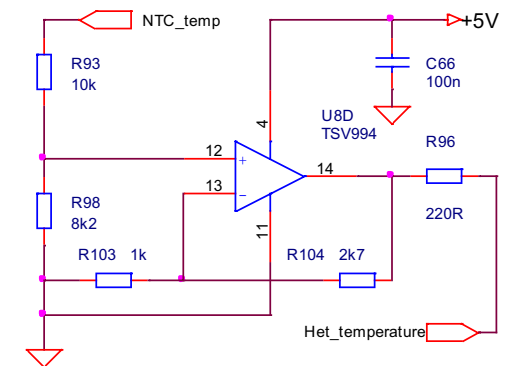
Current sensing C



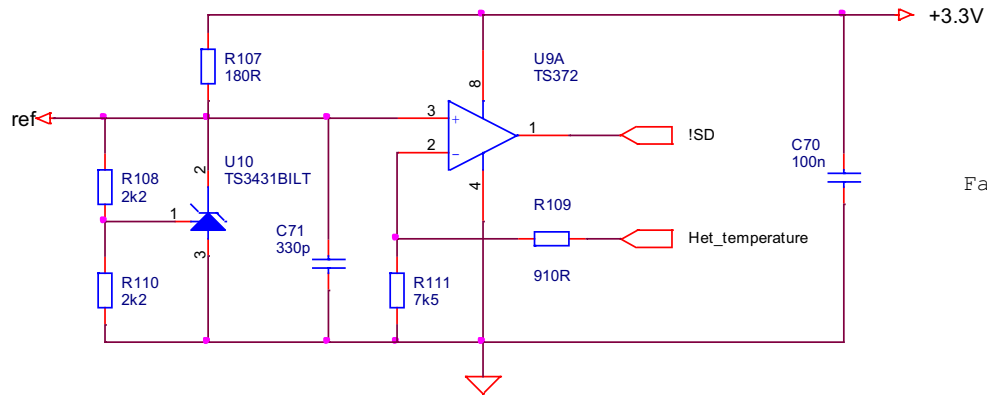
Current sensing B



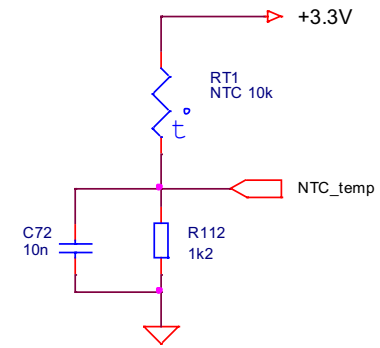
Temperature amplifier



Over-het comparator

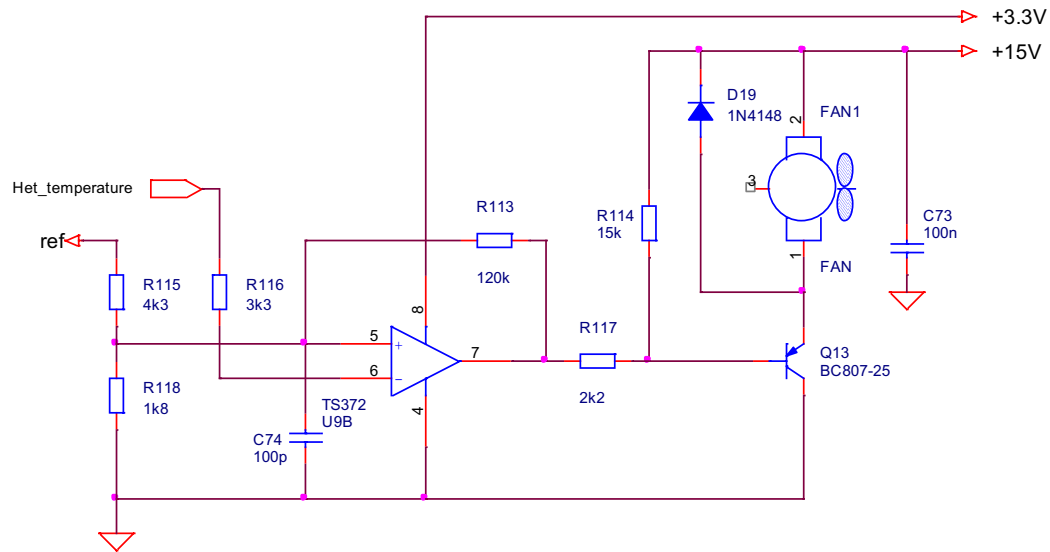


Heatsink temperature



Fan controller

Fan controller



Test pins

- |      |   |           |      |   |                 |
|------|---|-----------|------|---|-----------------|
| TP1  | → | phase_A   | TP2  | ← | Het_temperature |
| TP3  | → | phase_B   | TP4  | ← | M_phase_A       |
| TP5  | → | phase_C   | TP6  | ← | M_phase_B       |
| TP7  | ← | PWM-A-L   | TP8  | ← | M_phase_C       |
| TP9  | ← | PWM-A-H   | TP10 | ← | Bus_voltage     |
| TP11 | ← | PWM-B-L   | TP12 | ← | Brake control   |
| TP13 | ← | PWM-B-H   | TP14 | → | +3.3V           |
| TP15 | ← | PWM-C-L   | TP16 | → | +15V            |
| TP17 | ← | PWM-C-H   | TP18 | → | ref             |
| TP19 | ← | Current_A | TP20 | ↓ |                 |
| TP21 | ← | Current_B |      |   |                 |
| TP22 | ← | Current_C |      |   |                 |