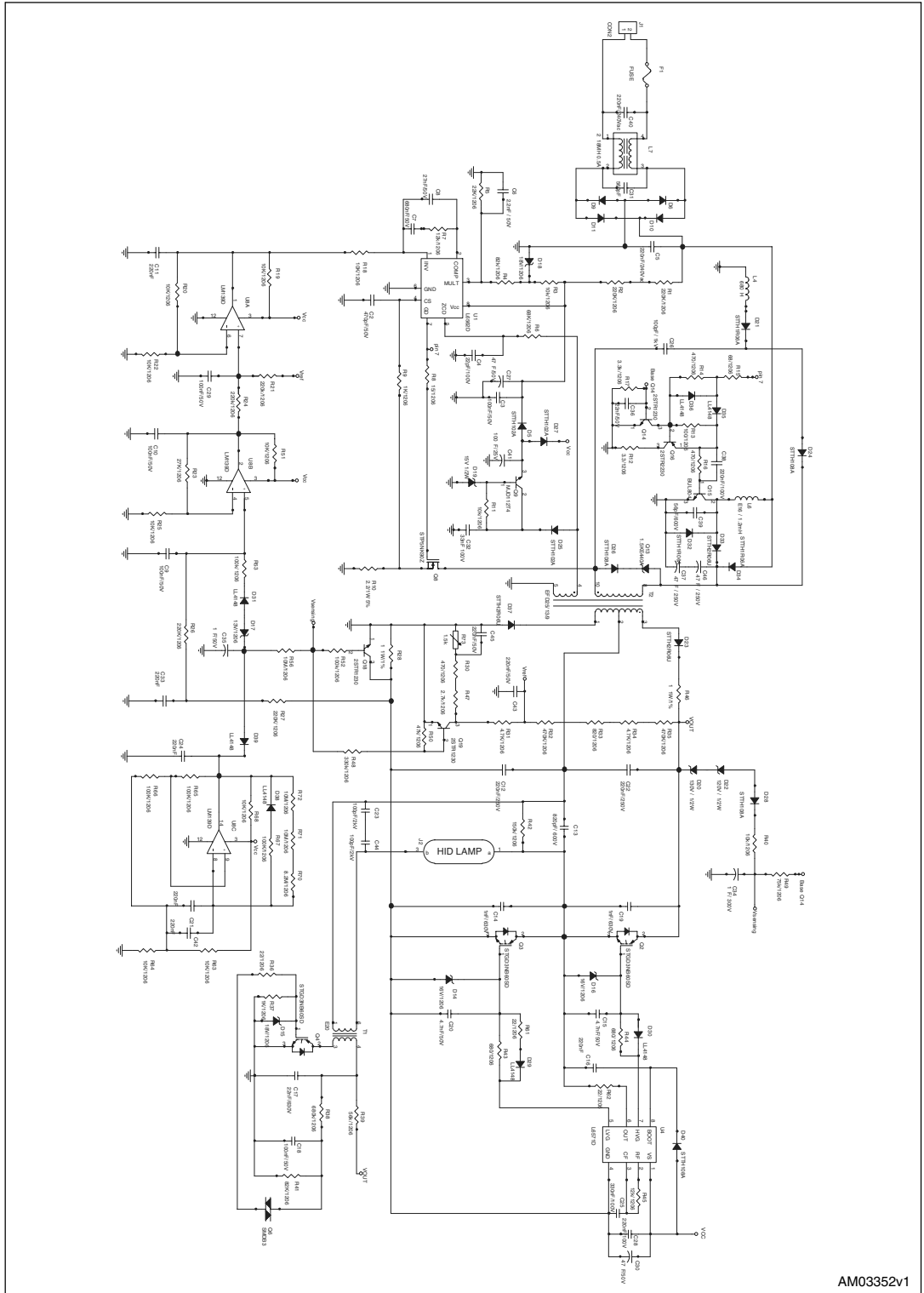


STEVAL-ILH002V1

Board schematic



AM03352V1