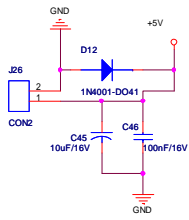
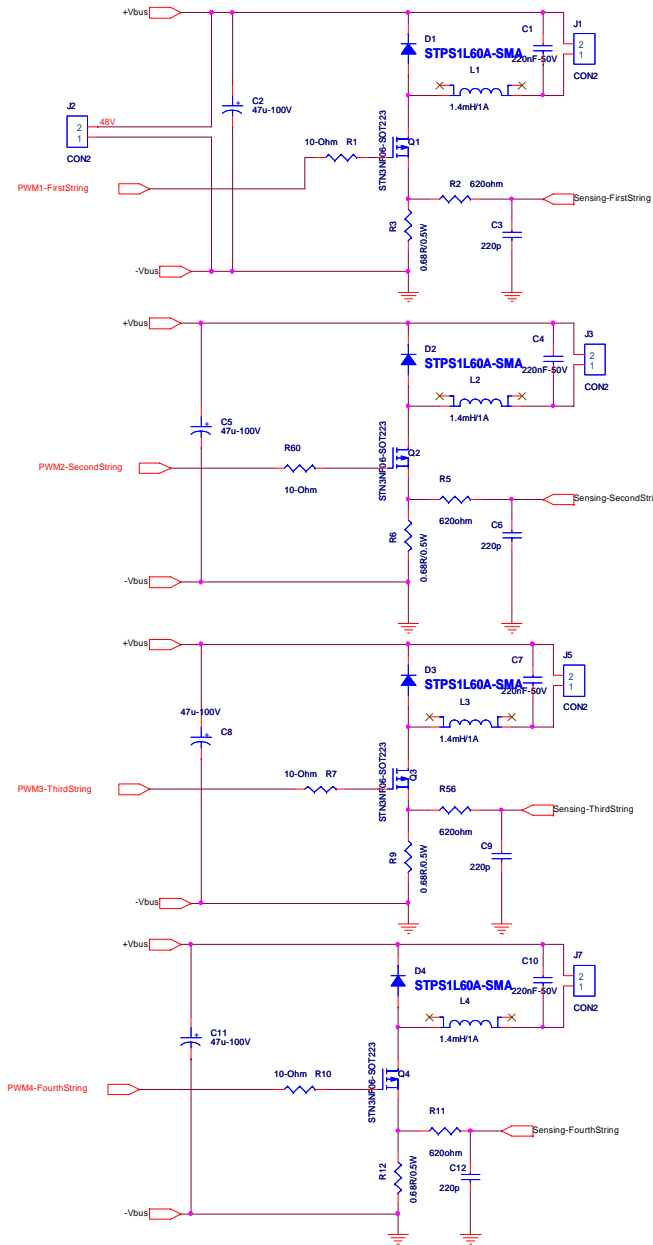


PLACE ON BOTTOM SIDE

[www.BDTIC.com/ST](http://www.BDTIC.com/ST)



[www.BDTIC.com/ST](http://www.BDTIC.com/ST)

File	<STEVAL-LL031V1>	
Size	Document Number	Rev
C	<Doc>	<Rev Code>
Date:	Friday, February 26, 2010	Sheet 1 of 1