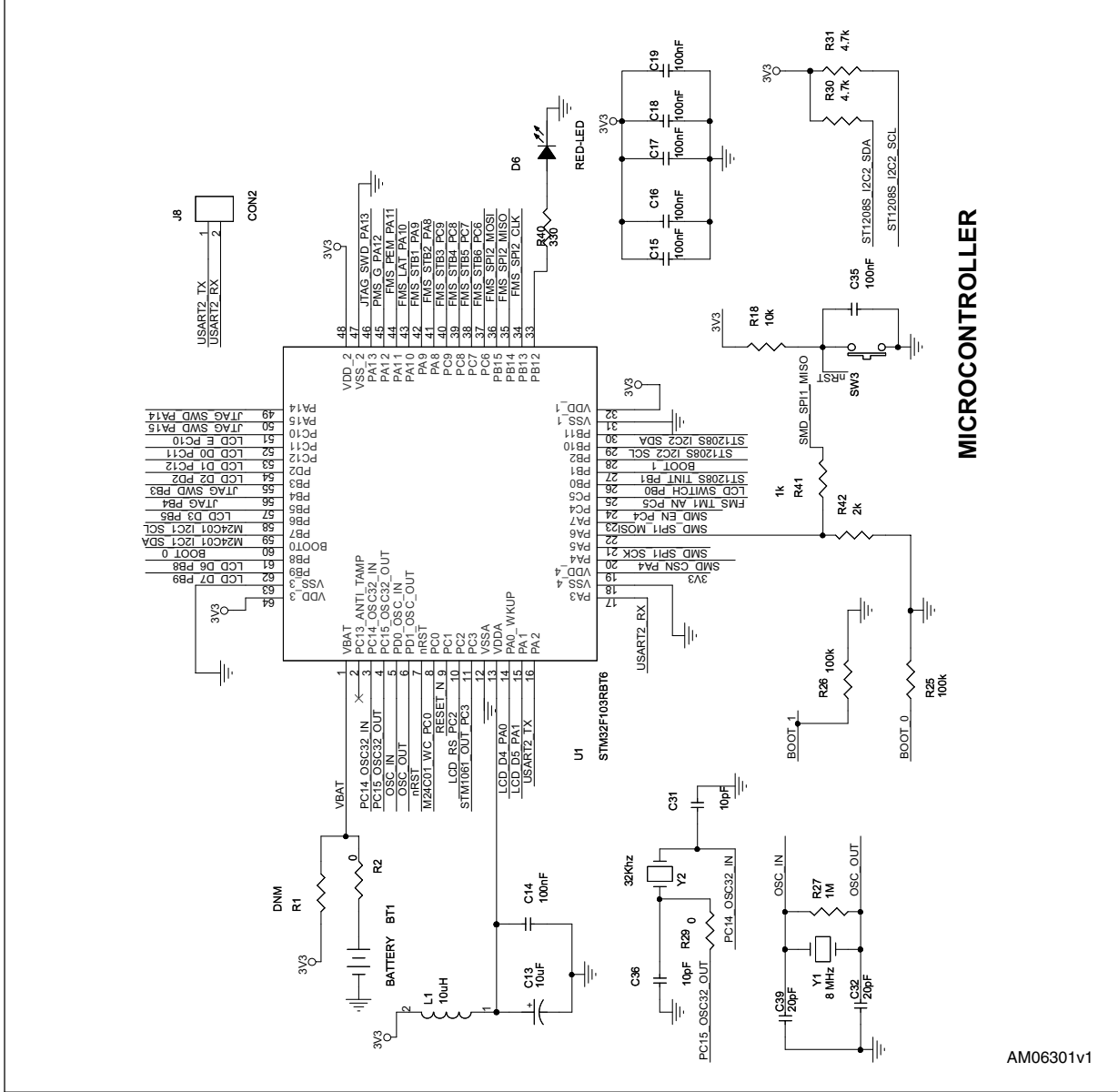


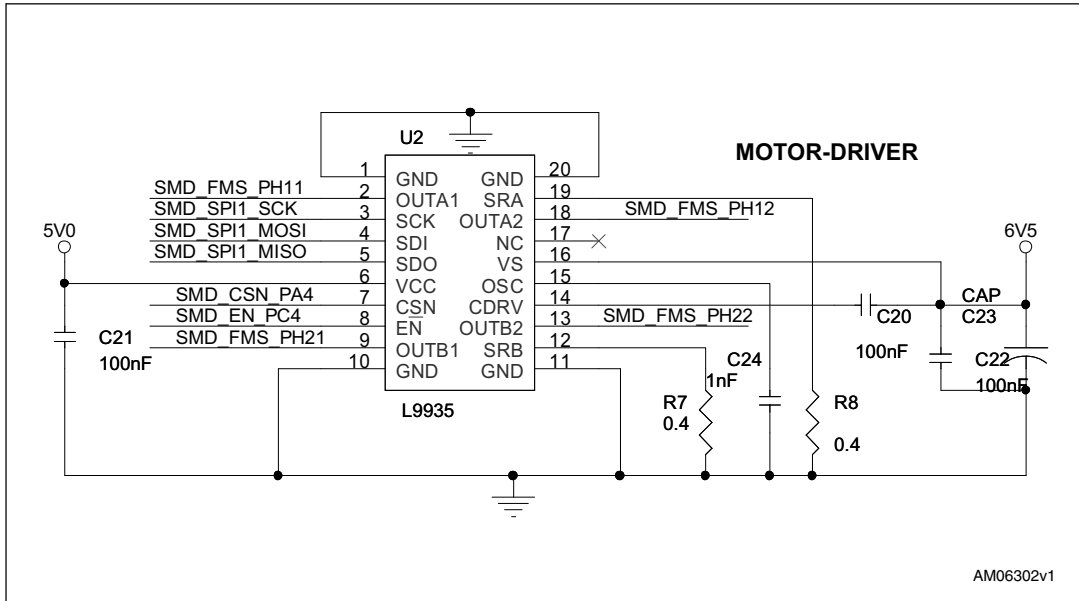
STEVAl-IPC002V1 Microcontroller circuit schematic



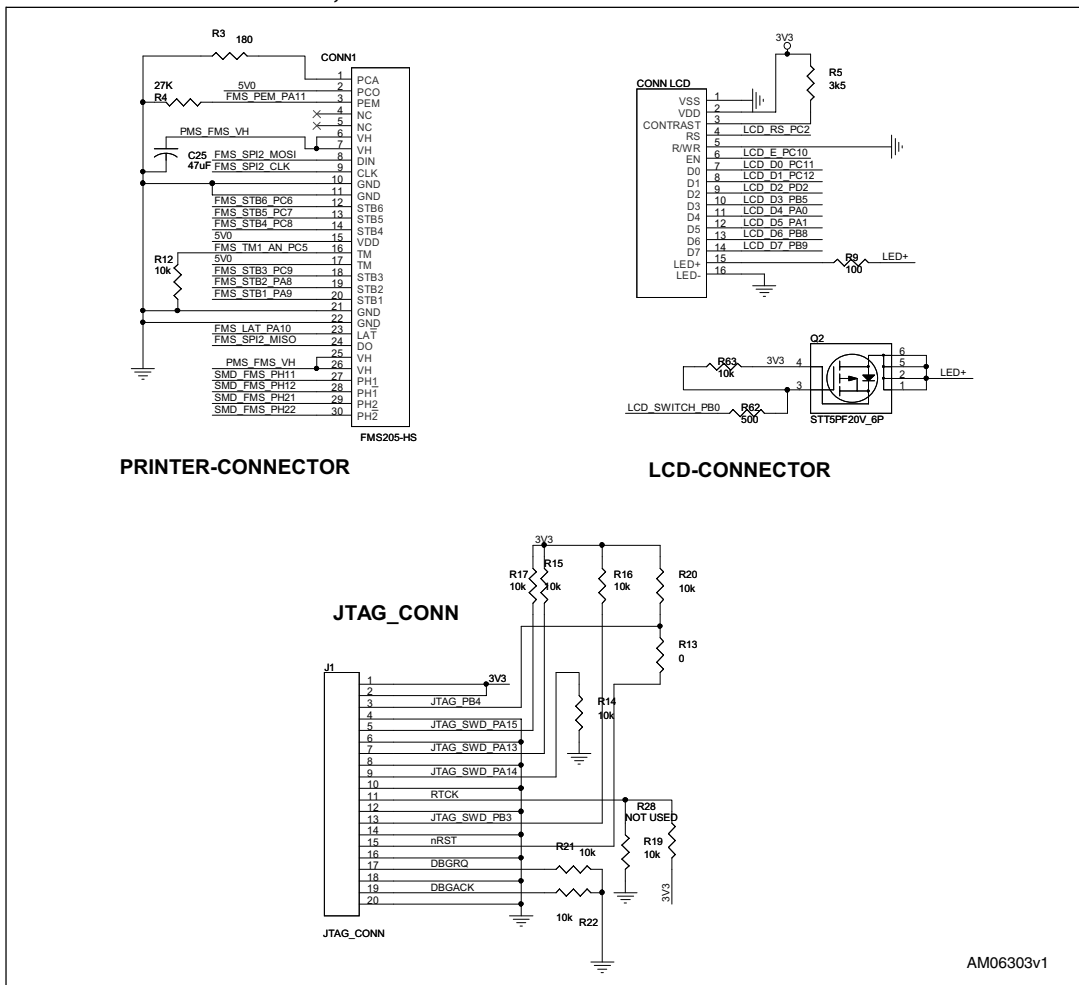
MICROCONTROLLER

AM06301v1

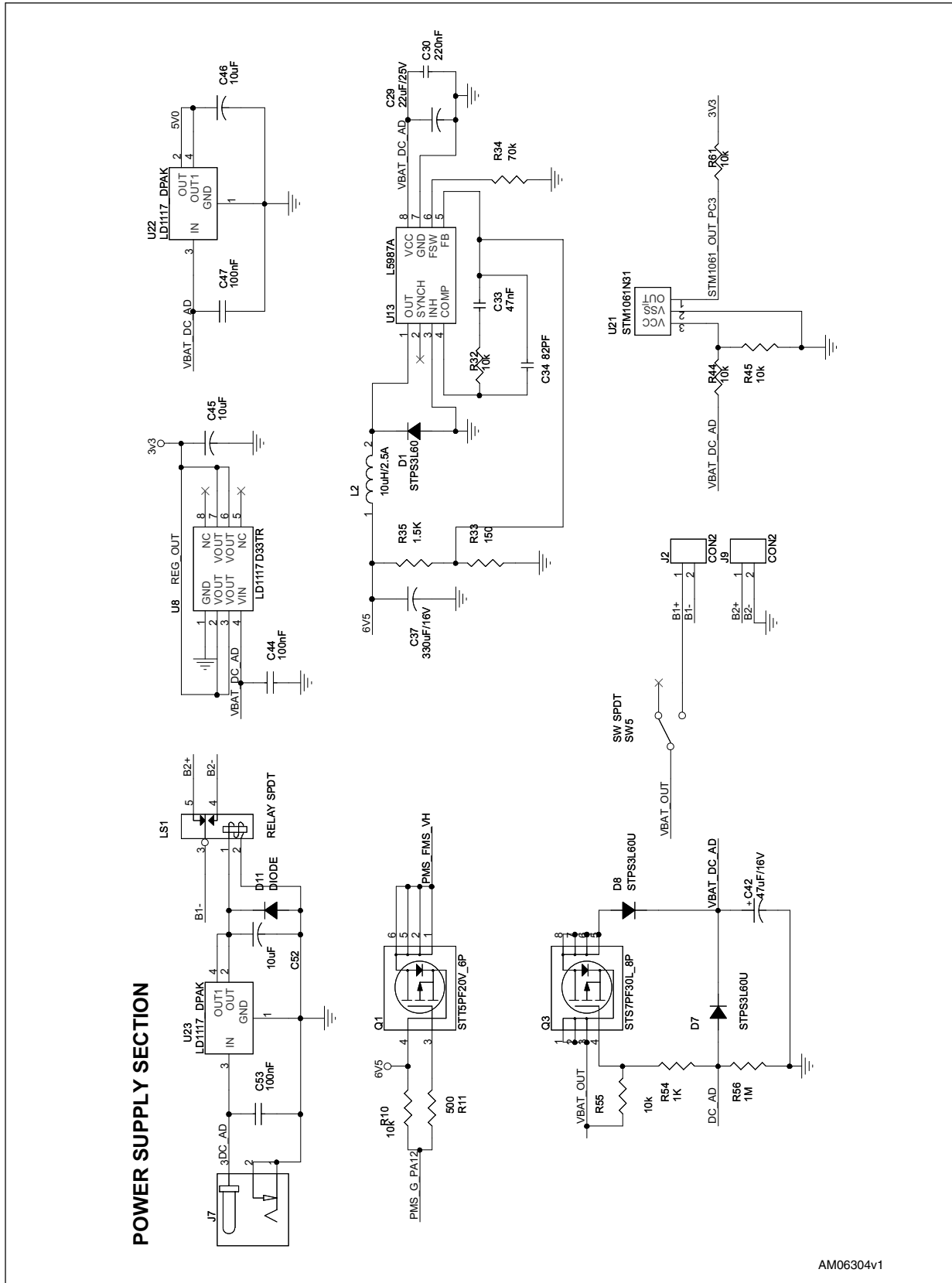
STEVAL-IPC002V1 Motor driver circuit schematic



STEVAL-IPC002V1 Printer, LCD and JTAG connector schematic

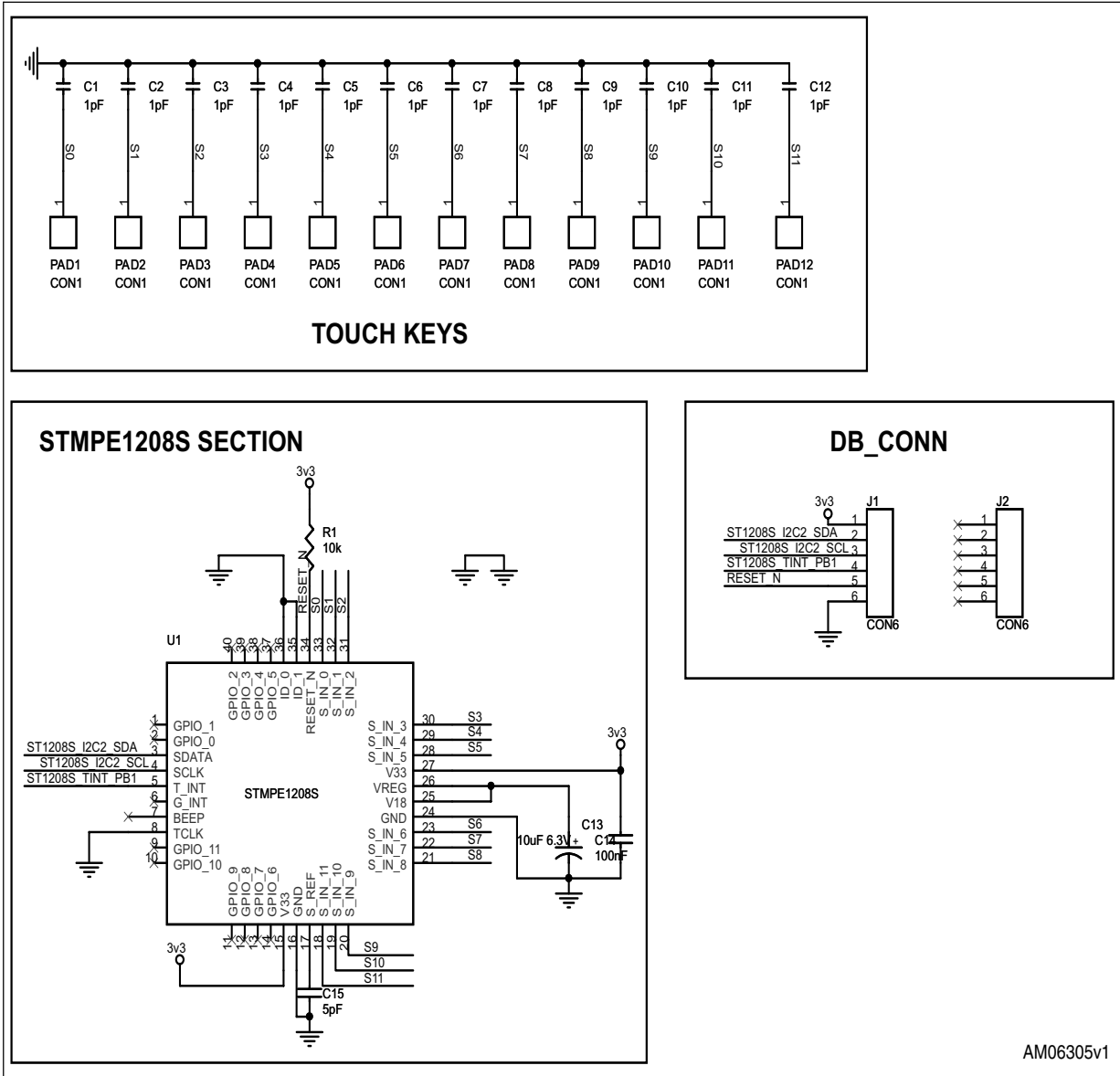


STEVAL-IPC002V1 Power management section schematic



AM06304v1

STEVAL-IPC002V1 S-Touch™ keypad section schematic



AM06305v1