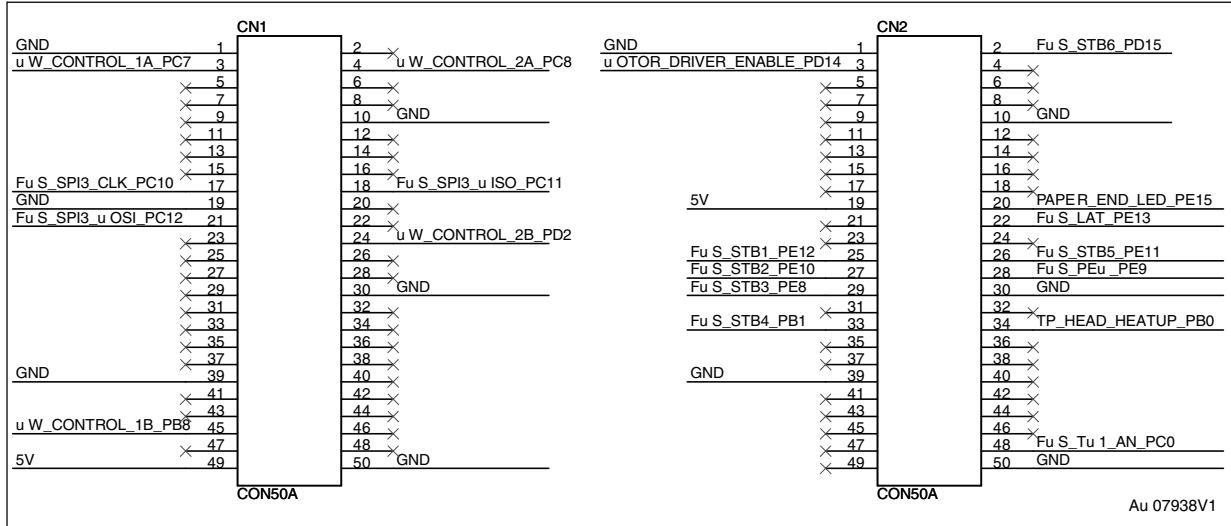
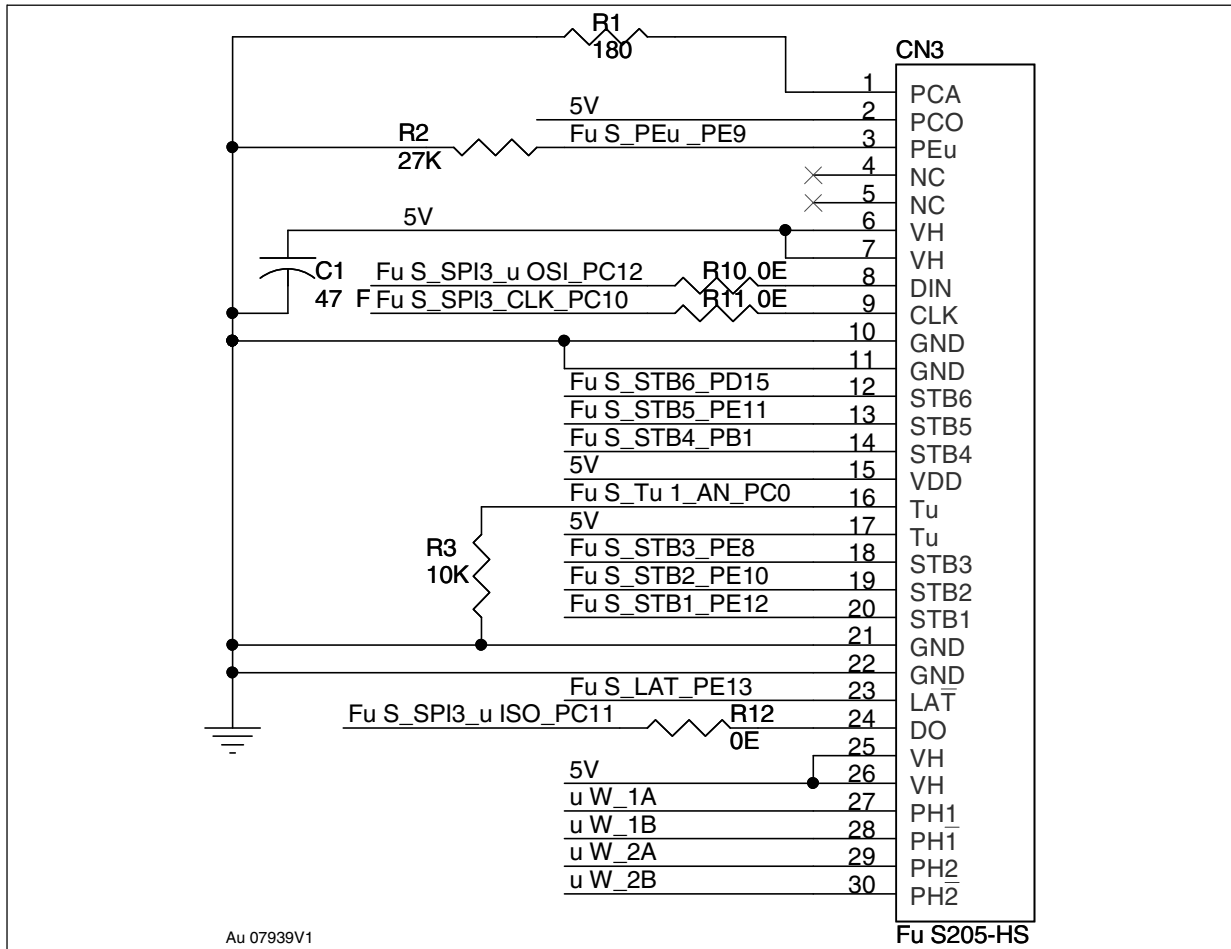


STEVAL-IPC003V1 Eval board connector section



STEVAL-IPC003V1 Printer connector



STEVAL-IPC003V1 Motor driver

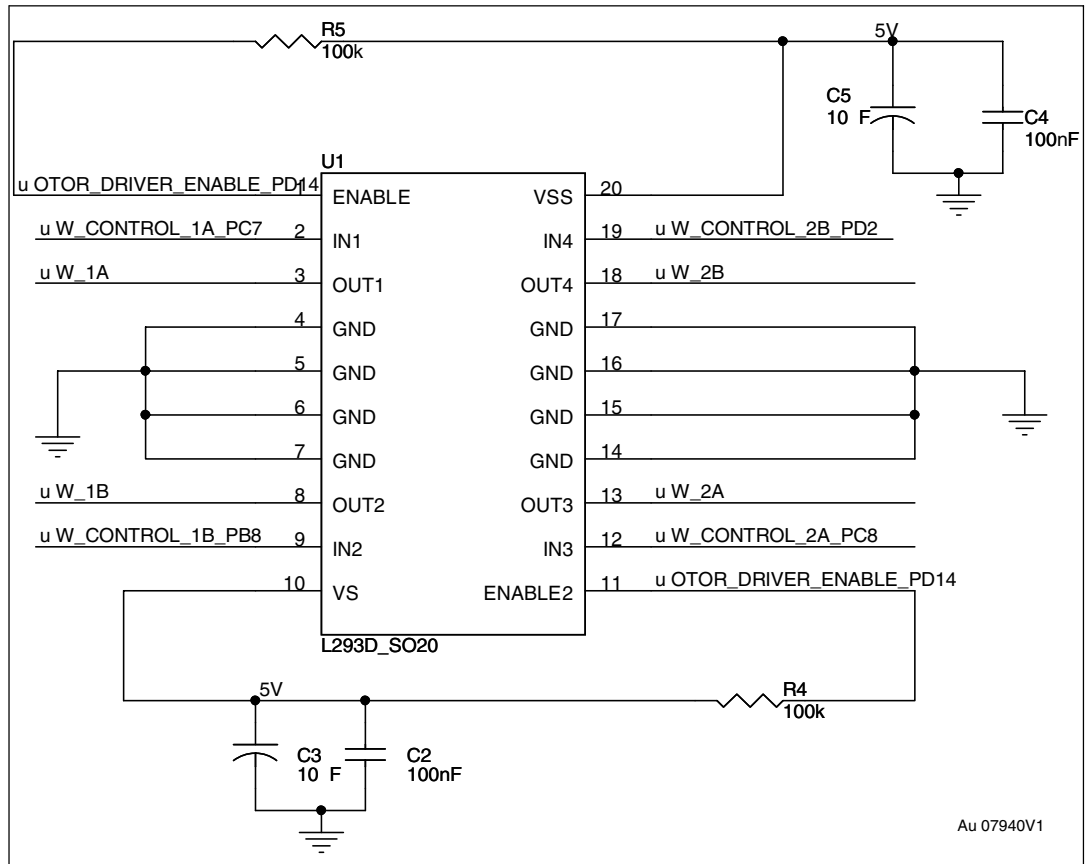


Figure 4. Power supply

