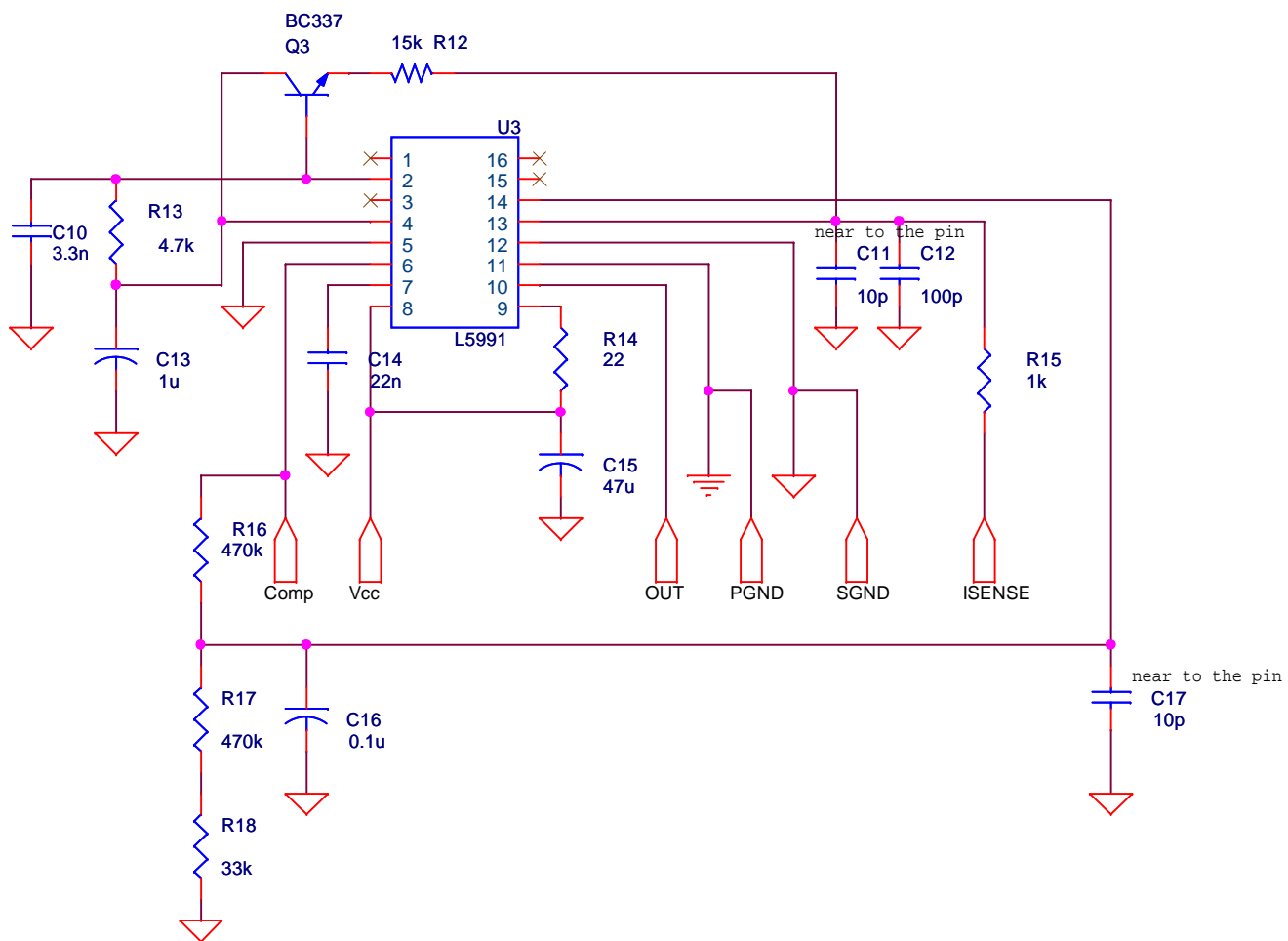


STEVAL-ISA032V1 Schematic



STEVAL-ISA032V1-PWM L5991		
Title <Title>		
Size A	Document Number <Doc>	Rev 0.0
Date:	Wednesday, September 12, 2007	Sheet 2 of 2