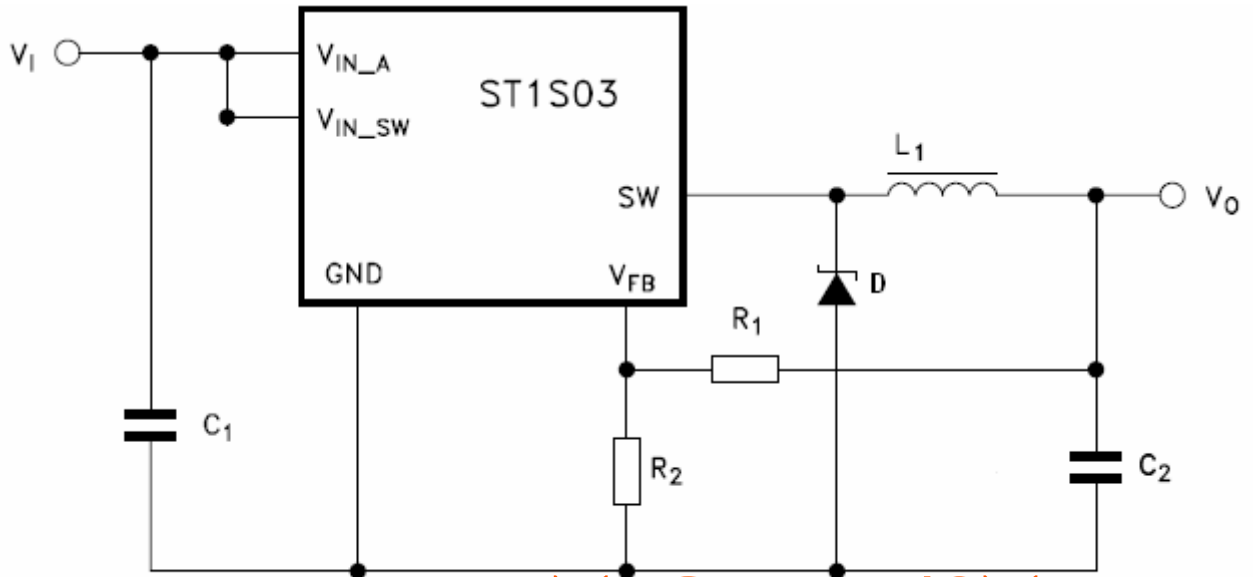


STEVAL-ISA042V1 SCHEMATIC



[www.BDTIC.com/ST](http://www.BDTIC.com/ST)