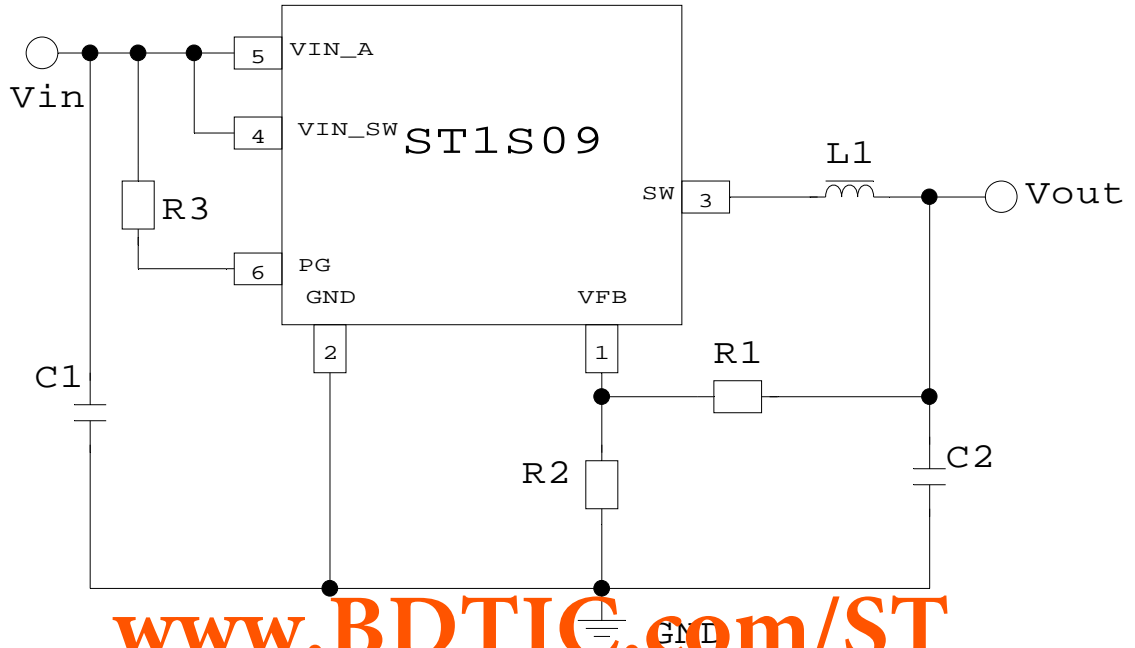


STEVAL-ISA045V1 SCHEMATIC



www.BDTIC.com/ST