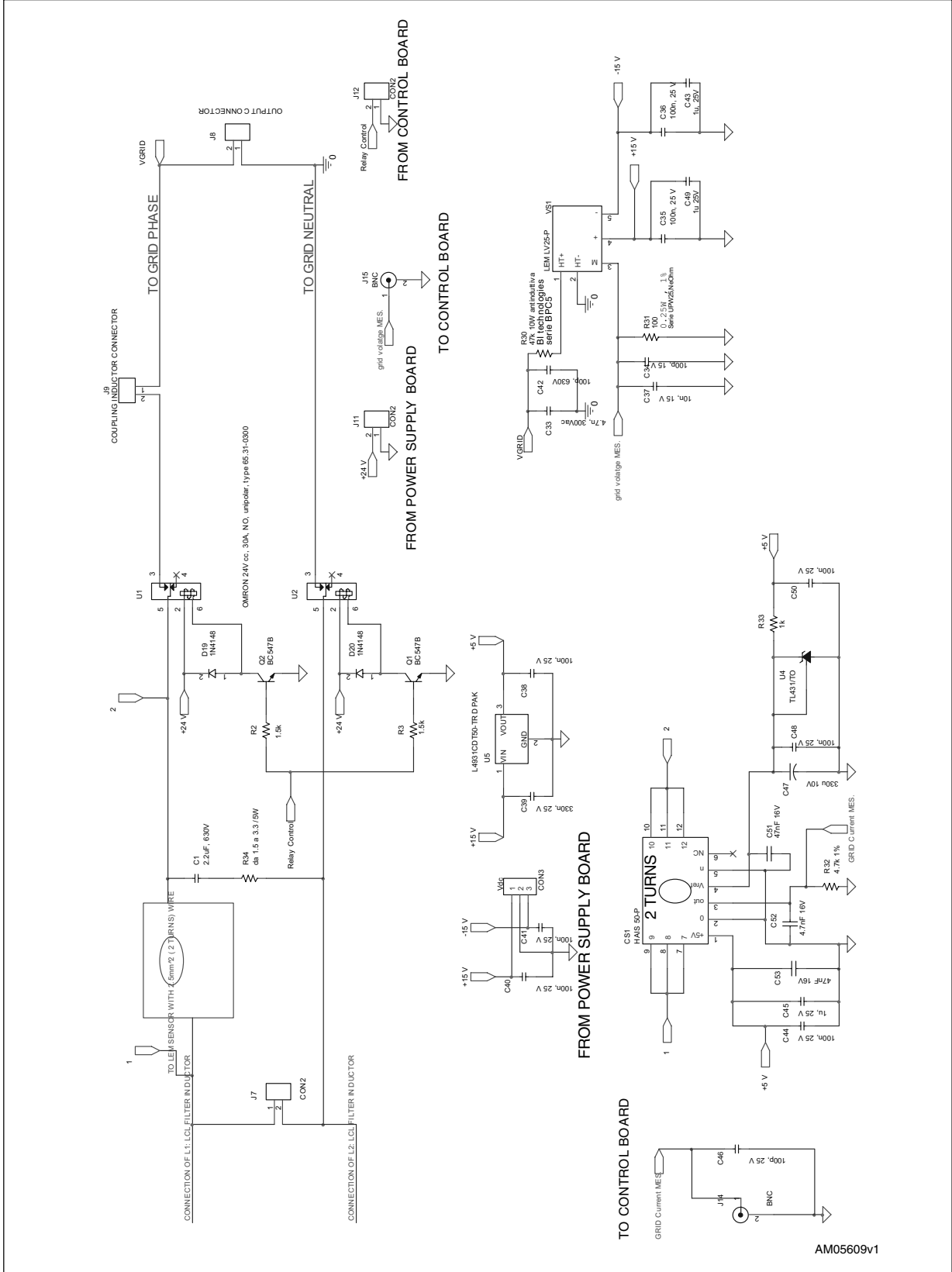
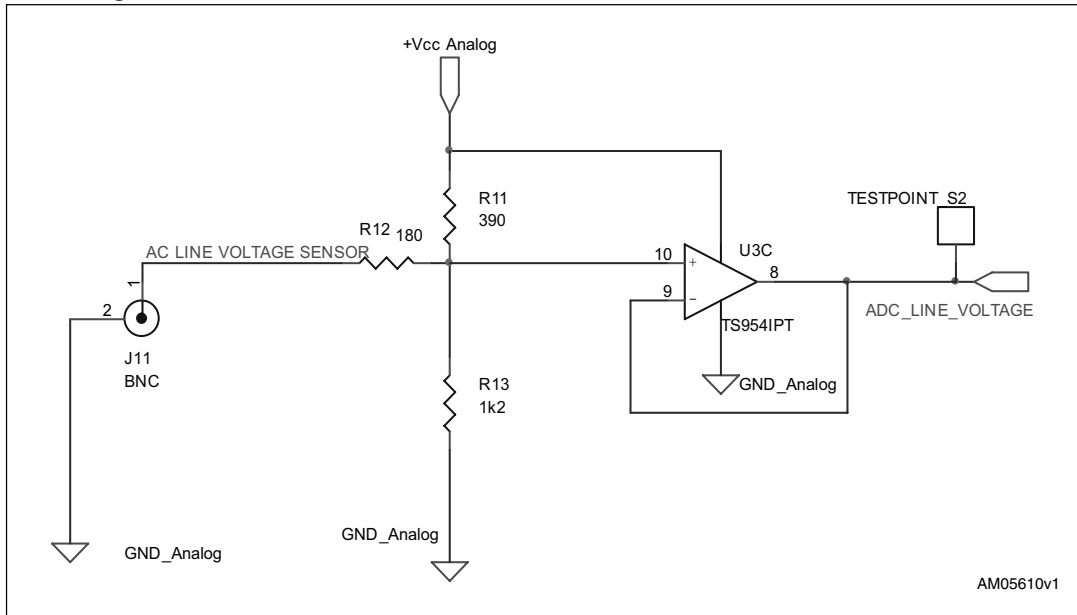


Output sensing and relay board schematic

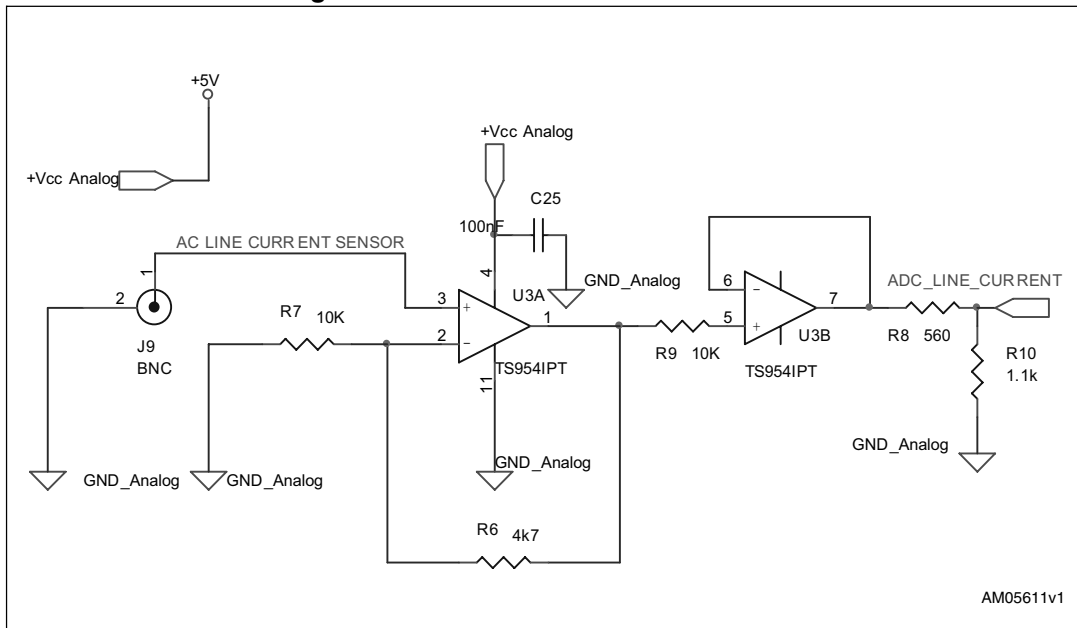


AM05609v1

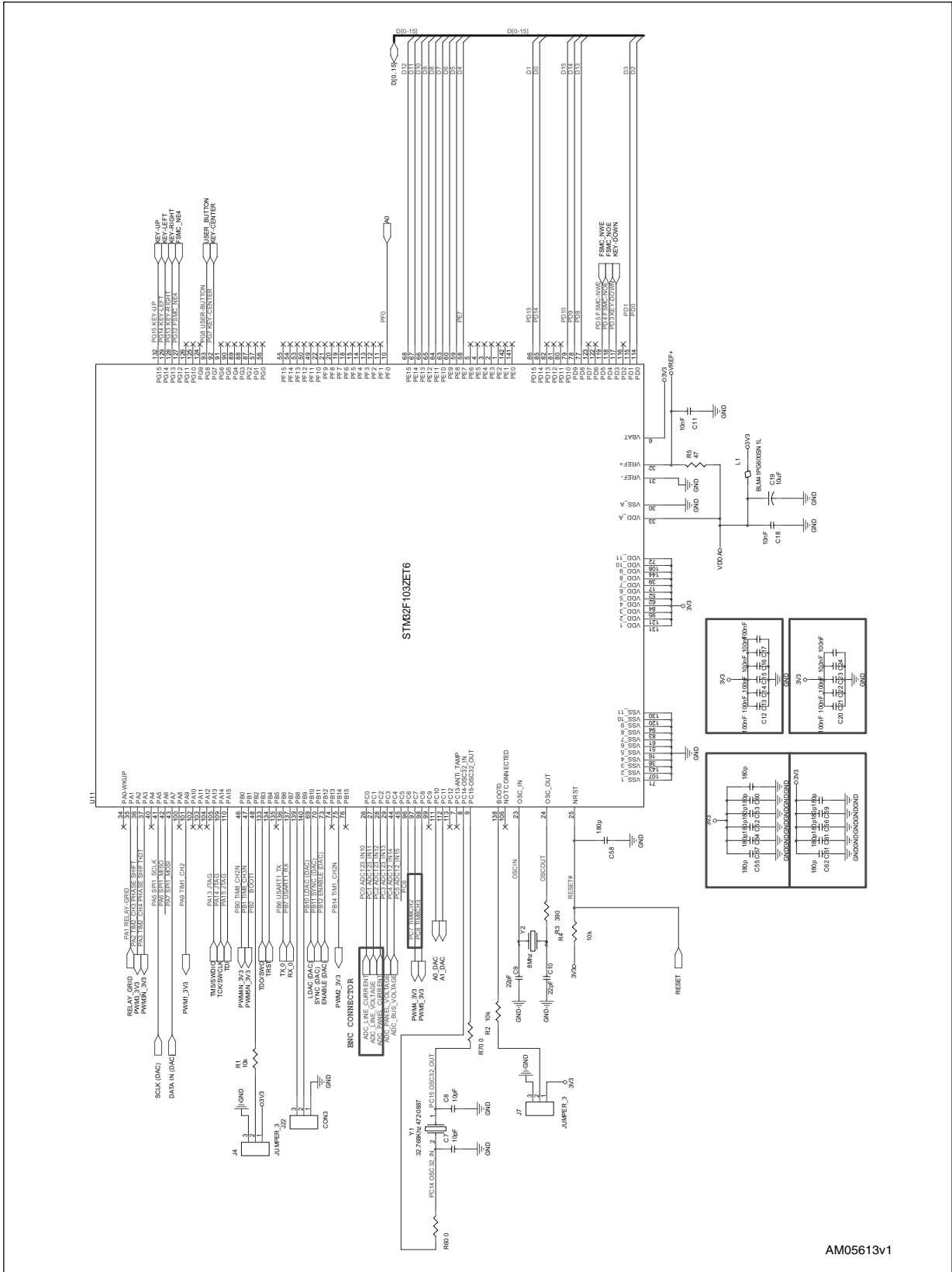
AC voltage measurement circuit schematic



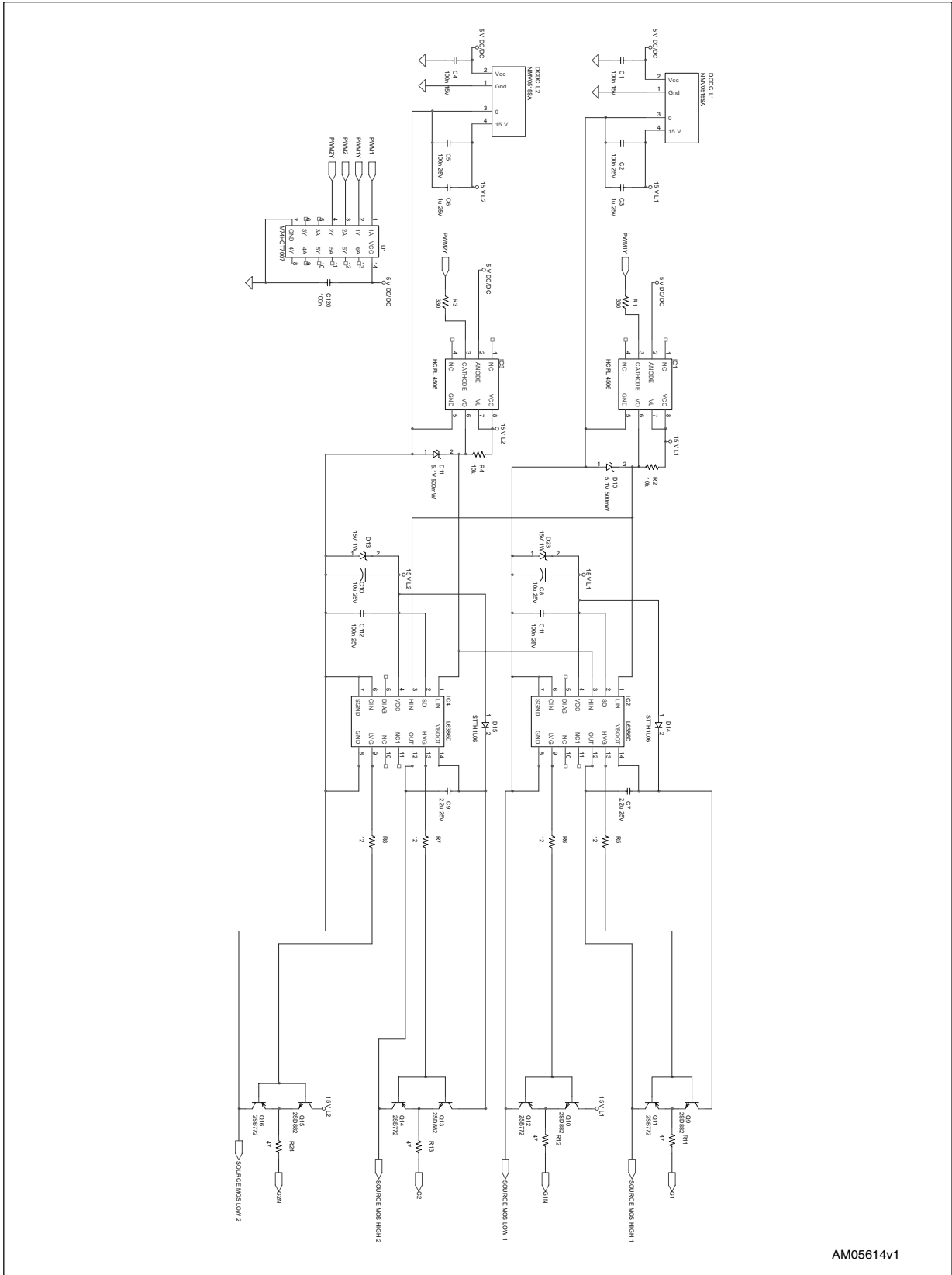
Line current conditioning circuit schematic



STM32 microcontroller circuit schematic

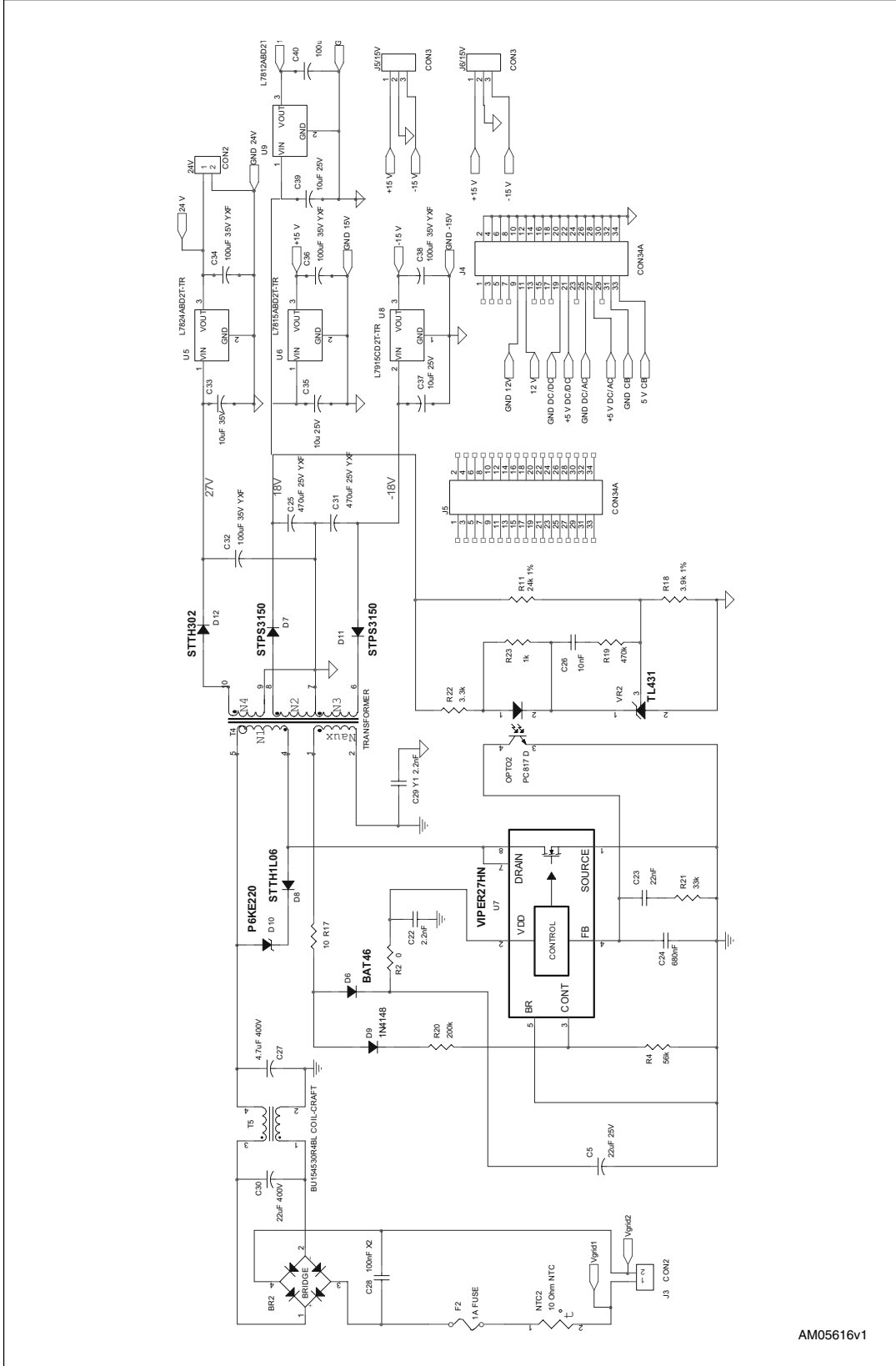


DC-DC converter driver circuit schematic



AM05614v1

5 V, 1 A flyback converter with VIPER17HH schematic



AM05616v1

