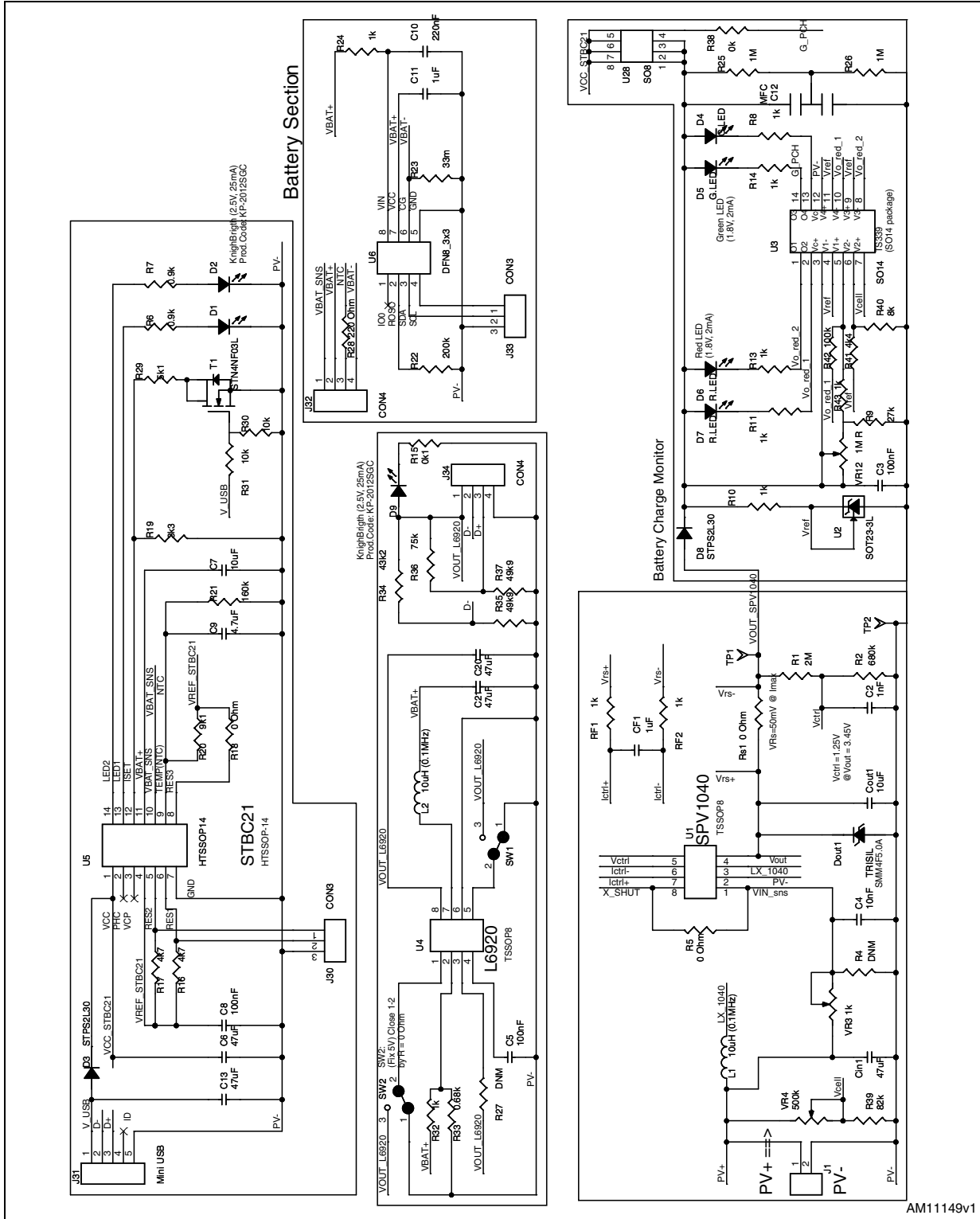


STEVAL-ISV014V1

Circuit schematic



AM11149v1