

STEVAL-MKI119V1 schematic diagram

Figure 1. Circuit schematic for STEVAL-MKI109V2 (1 of 2)

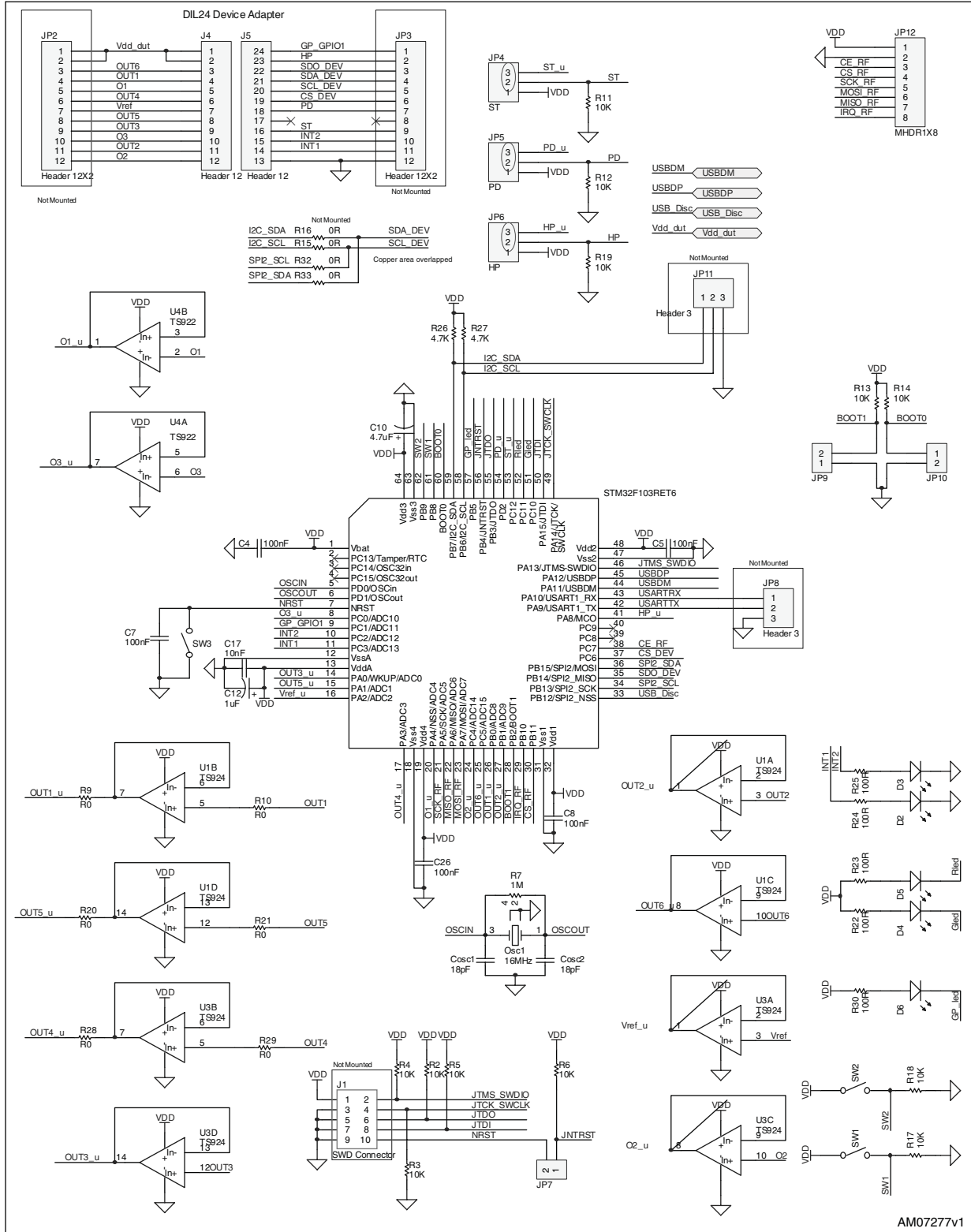
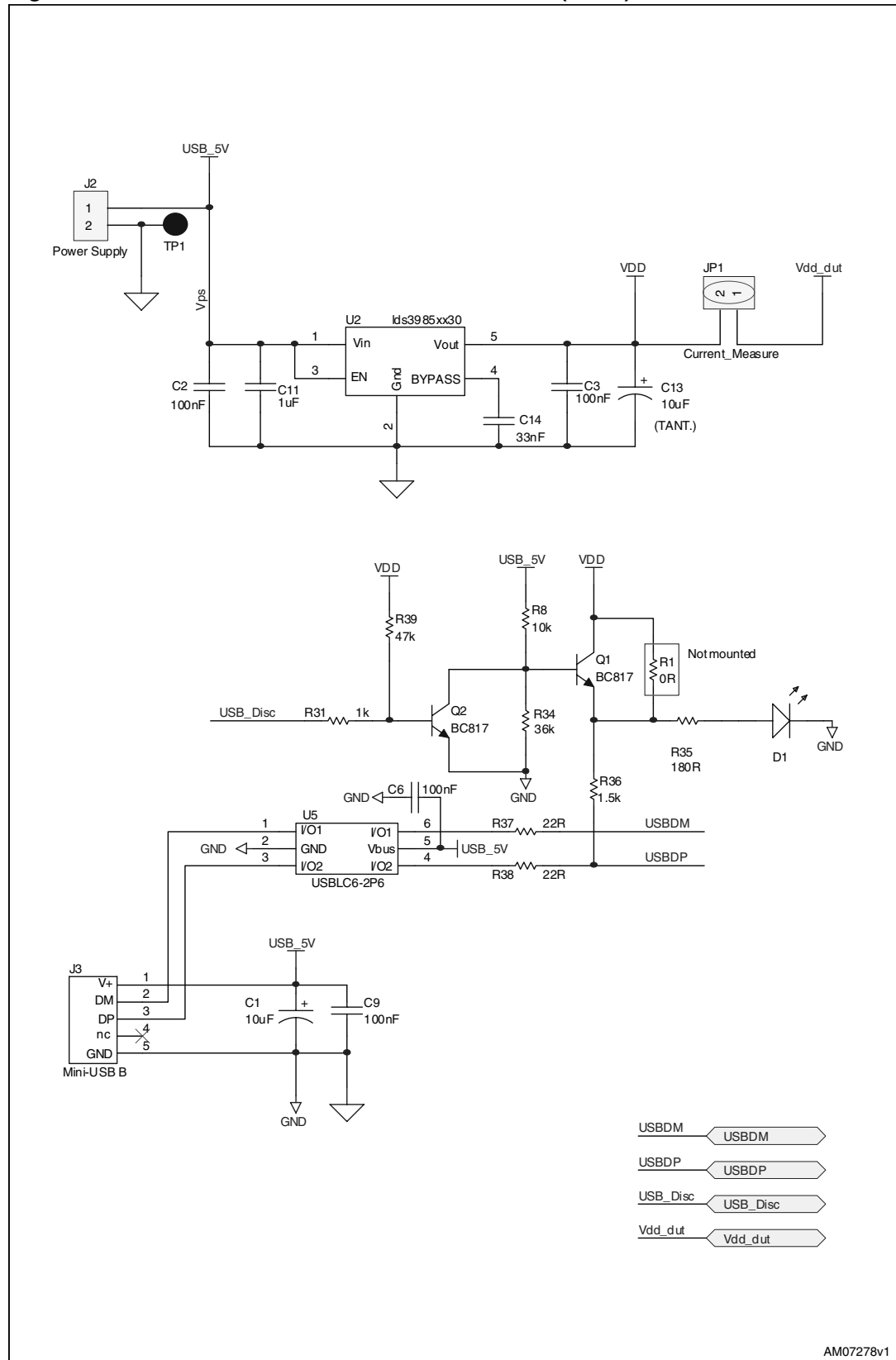
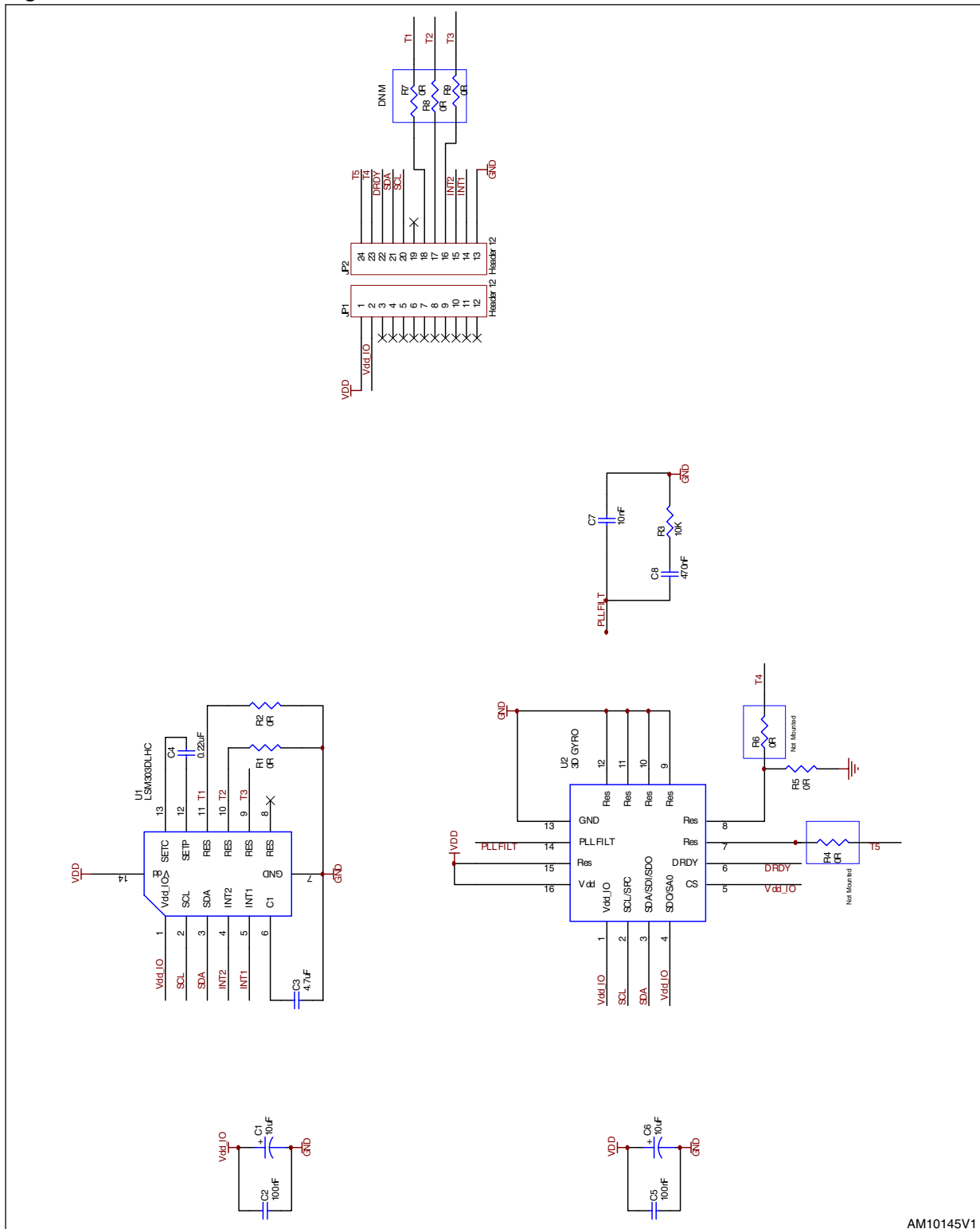


Figure 2. Circuit schematic for STEVAL-MKI109V2 (2 of 2)



AM07278v1

Figure 3. Circuit schematic for STEVAL-MKI108V2



AM10145V1