



# STEVAL-PCC008V1

## TFT display demonstration board with Ethernet connectivity based on the STR91

Data brief

### Features

- Embedded Ethernet web client based on the STR91 system package
- Board fitted with TFT, microSD card, and keypad
- System pre-programmed
- Can display images from the web
- Includes set of sample images to work with web server
- RoHS compliant

### Description

The STEVAL-PCC008V1 demonstration board implements the functionality of an embedded Ethernet web client system, which is based on the STR91xFAW ARM966E-S™ 16/32-Bit Flash MCU with Ethernet microcontroller.

The system is designed to view/monitor JPEG images taken from an HTTP web server or from an IP camera on the network. The images are displayed on the TFT screen, demonstrating the surveillance capability. The system is compatible with web servers which do not require secure socket layer (SSL) support. It uses specific programmed requests to capture images from the specific web servers.

The display is a 2.4" TFT screen which displays images captured from the network by converting them into bitmaps through a JPEG decompression algorithm.

A six-button keypad is provided for navigating through menus.

The availability of a microSD card on the board aids in the handling of large chunks of data from the network.



# 1 Schematic diagrams

Figure 1. Microcontroller circuit schematic

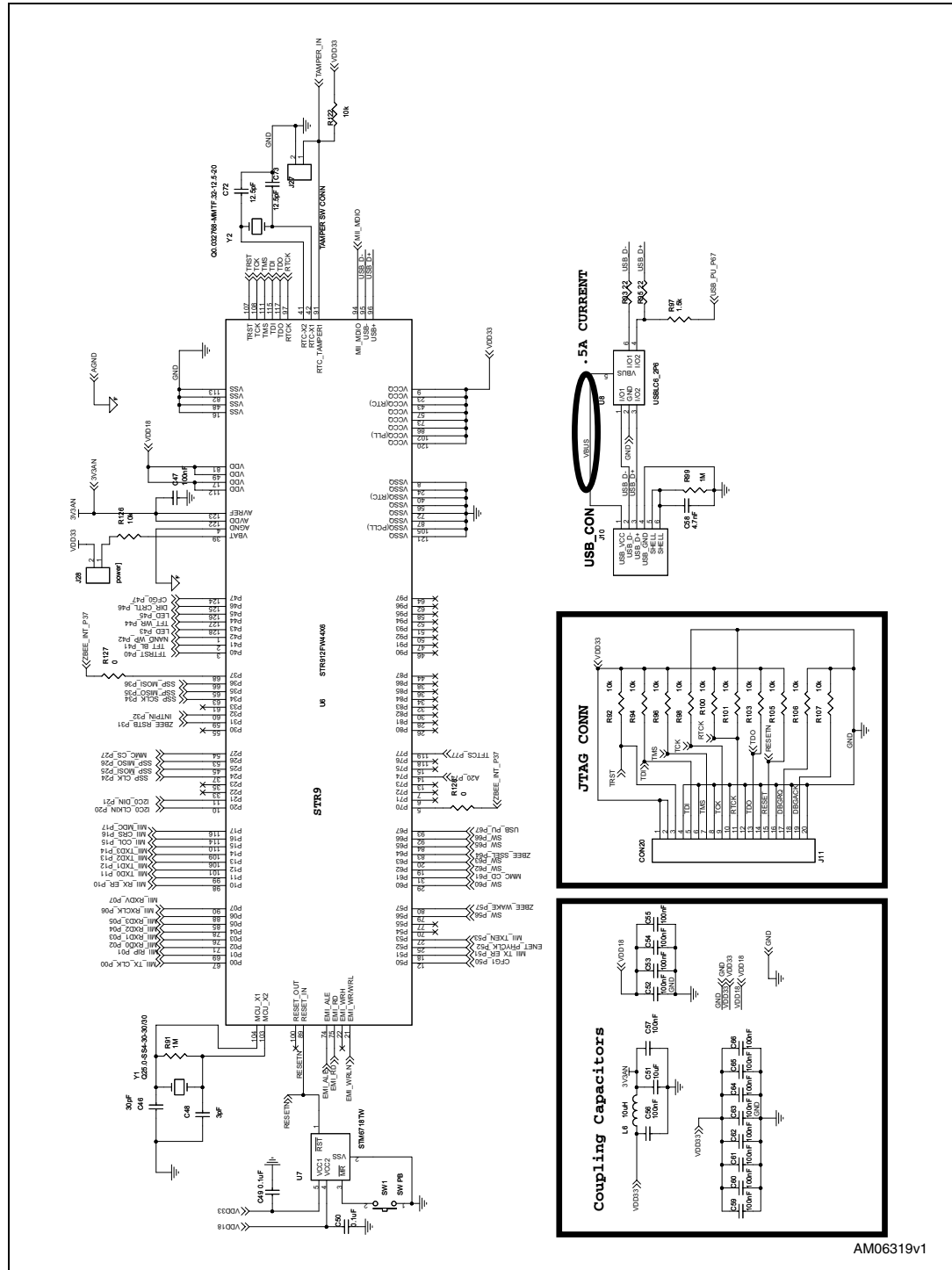


Figure 2. Ethernet circuit schematic

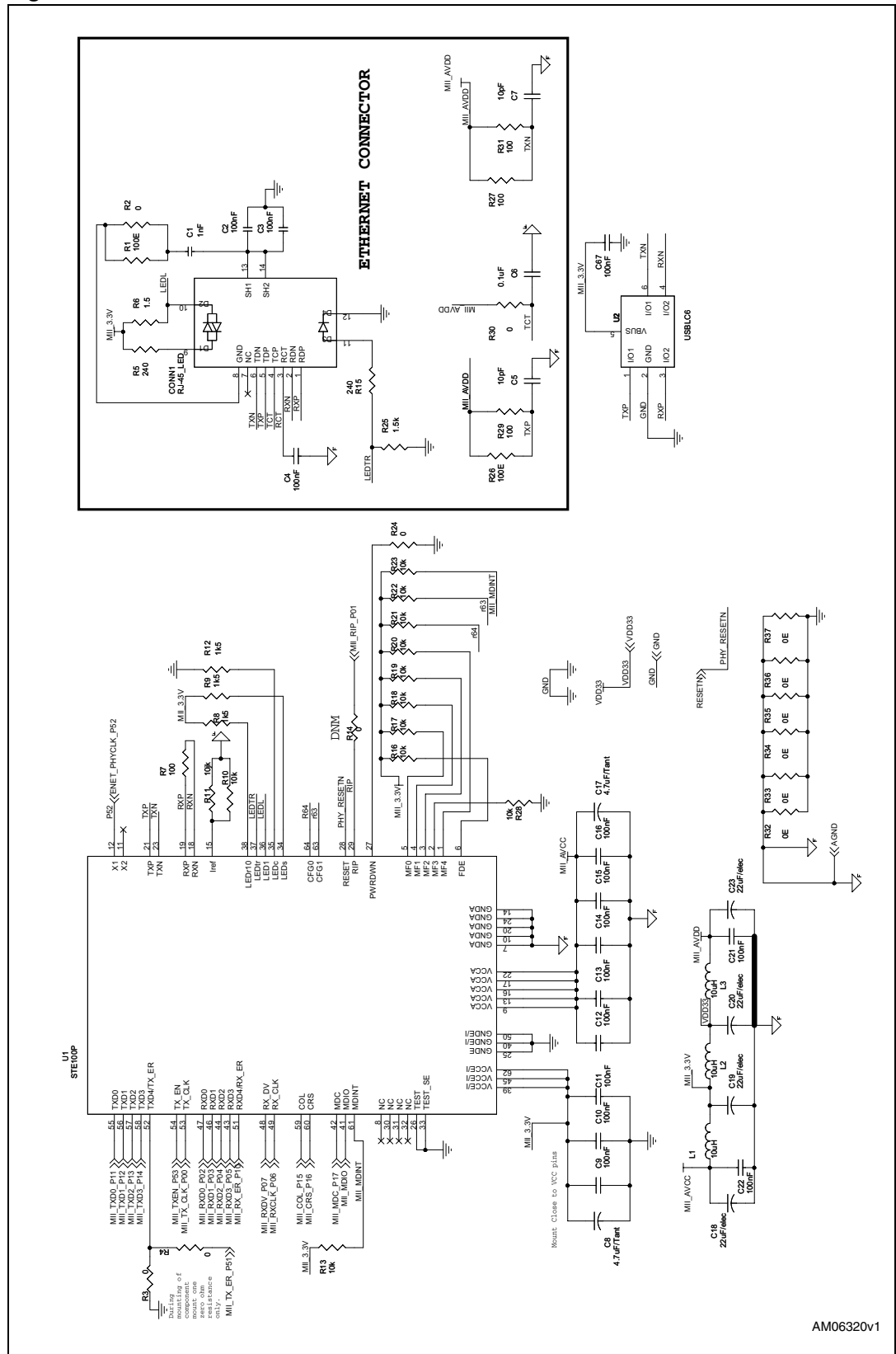
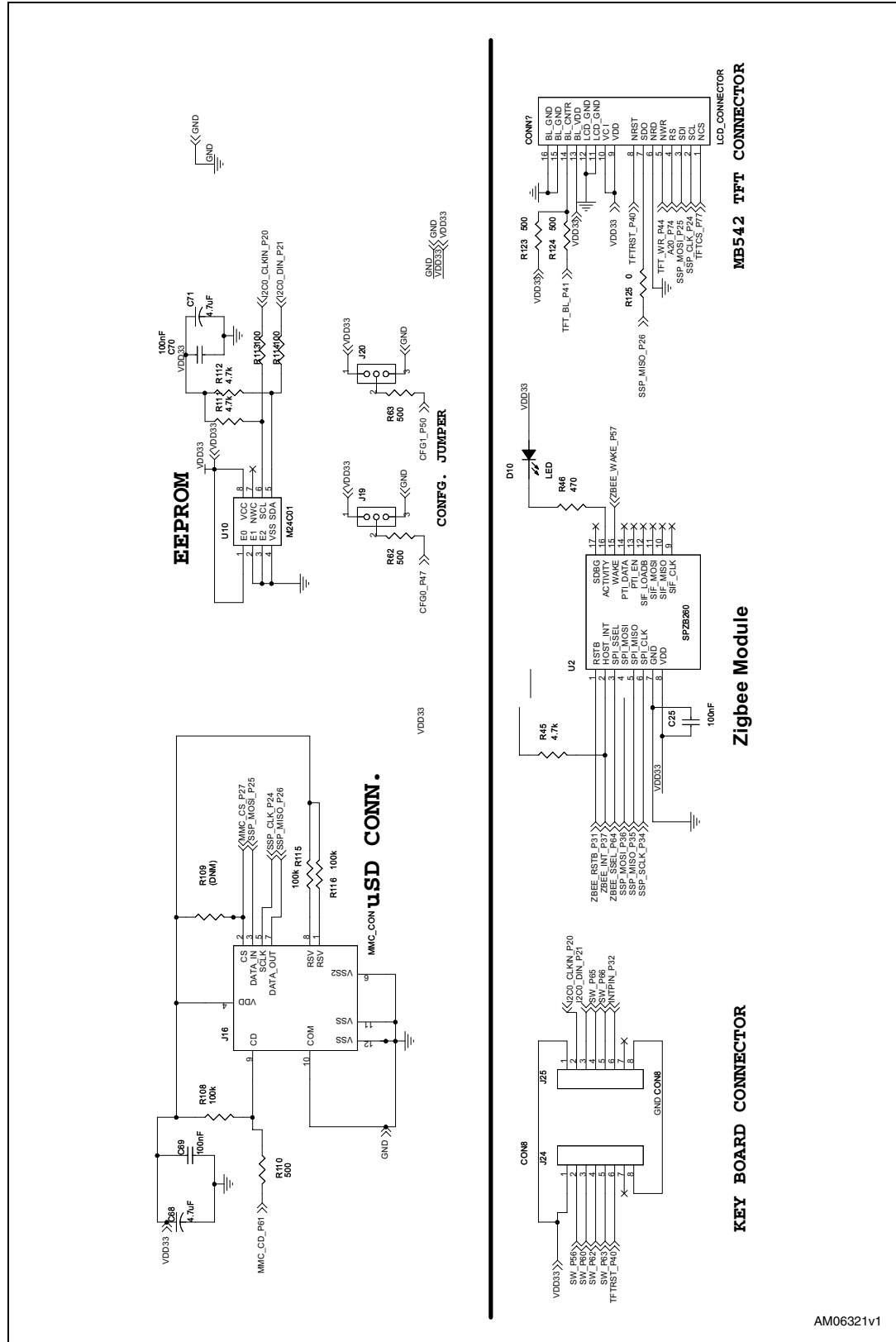
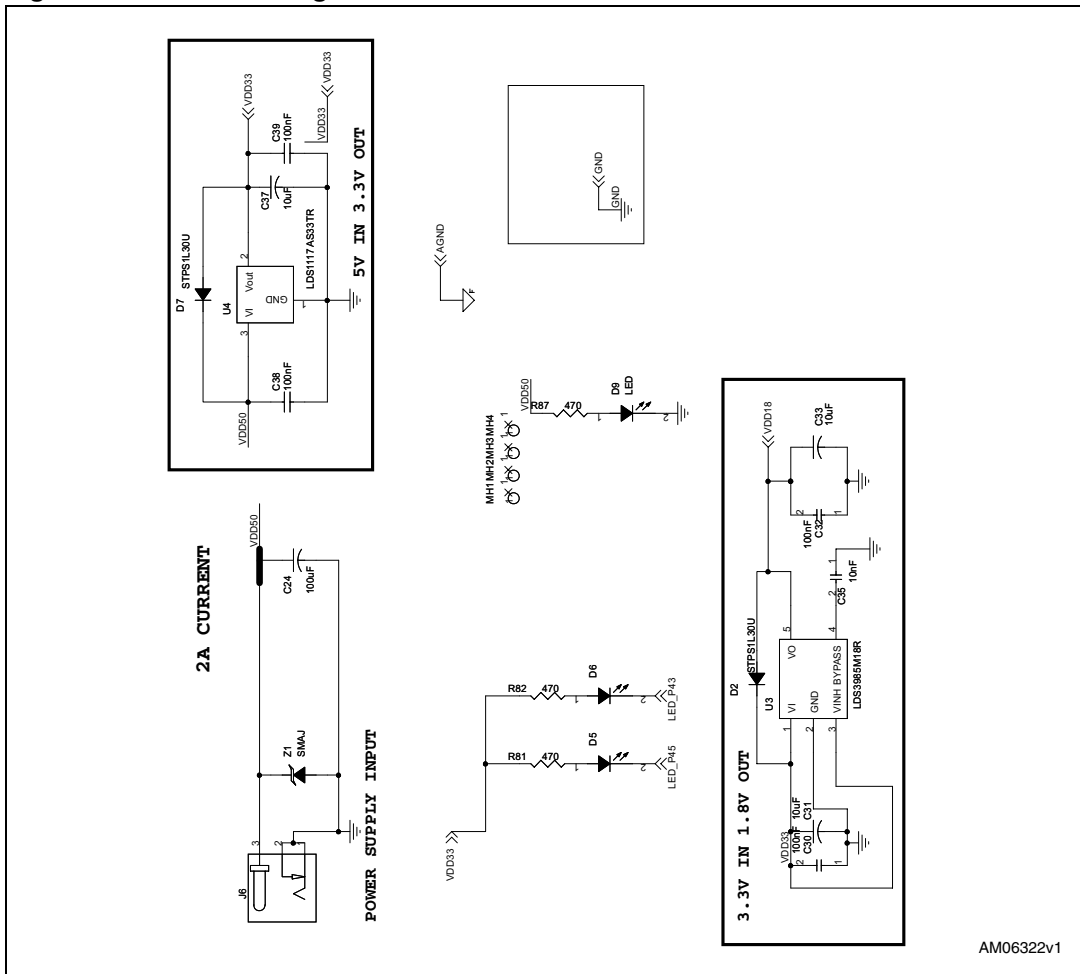


Figure 3. Connector circuit schematics



AM06321v1

Figure 4. Power management circuit schematic



AM06322v1

## 2 Revision history

Table 1. Document revision history

Date	Revision	Changes
05-Mar-2010	1	Initial release.

**Please Read Carefully:**

Information in this document is provided solely in connection with ST products. STMicroelectronics NV and its subsidiaries ("ST") reserve the right to make changes, corrections, modifications or improvements, to this document, and the products and services described herein at any time, without notice.

All ST products are sold pursuant to ST's terms and conditions of sale.

Purchasers are solely responsible for the choice, selection and use of the ST products and services described herein, and ST assumes no liability whatsoever relating to the choice, selection or use of the ST products and services described herein.

No license, express or implied, by estoppel or otherwise, to any intellectual property rights is granted under this document. If any part of this document refers to any third party products or services it shall not be deemed a license grant by ST for the use of such third party products or services, or any intellectual property contained therein or considered as a warranty covering the use in any manner whatsoever of such third party products or services or any intellectual property contained therein.

**UNLESS OTHERWISE SET FORTH IN ST'S TERMS AND CONDITIONS OF SALE ST DISCLAIMS ANY EXPRESS OR IMPLIED WARRANTY WITH RESPECT TO THE USE AND/OR SALE OF ST PRODUCTS INCLUDING WITHOUT LIMITATION IMPLIED WARRANTIES OF MERCHANTABILITY, FITNESS FOR A PARTICULAR PURPOSE (AND THEIR EQUIVALENTS UNDER THE LAWS OF ANY JURISDICTION), OR INFRINGEMENT OF ANY PATENT, COPYRIGHT OR OTHER INTELLECTUAL PROPERTY RIGHT.**

**UNLESS EXPRESSLY APPROVED IN WRITING BY AN AUTHORIZED ST REPRESENTATIVE, ST PRODUCTS ARE NOT RECOMMENDED, AUTHORIZED OR WARRANTED FOR USE IN MILITARY, AIR CRAFT, SPACE, LIFE SAVING, OR LIFE SUSTAINING APPLICATIONS, NOR IN PRODUCTS OR SYSTEMS WHERE FAILURE OR MALFUNCTION MAY RESULT IN PERSONAL INJURY, DEATH, OR SEVERE PROPERTY OR ENVIRONMENTAL DAMAGE. ST PRODUCTS WHICH ARE NOT SPECIFIED AS "AUTOMOTIVE GRADE" MAY ONLY BE USED IN AUTOMOTIVE APPLICATIONS AT USER'S OWN RISK.**

Resale of ST products with provisions different from the statements and/or technical features set forth in this document shall immediately void any warranty granted by ST for the ST product or service described herein and shall not create or extend in any manner whatsoever, any liability of ST.

ST and the ST logo are trademarks or registered trademarks of ST in various countries.

Information in this document supersedes and replaces all information previously supplied.

The ST logo is a registered trademark of STMicroelectronics. All other names are the property of their respective owners.

© 2010 STMicroelectronics - All rights reserved

STMicroelectronics group of companies

Australia - Belgium - Brazil - Canada - China - Czech Republic - Finland - France - Germany - Hong Kong - India - Israel - Italy - Japan - Malaysia - Malta - Morocco - Philippines - Singapore - Spain - Sweden - Switzerland - United Kingdom - United States of America

[www.st.com](http://www.st.com)

