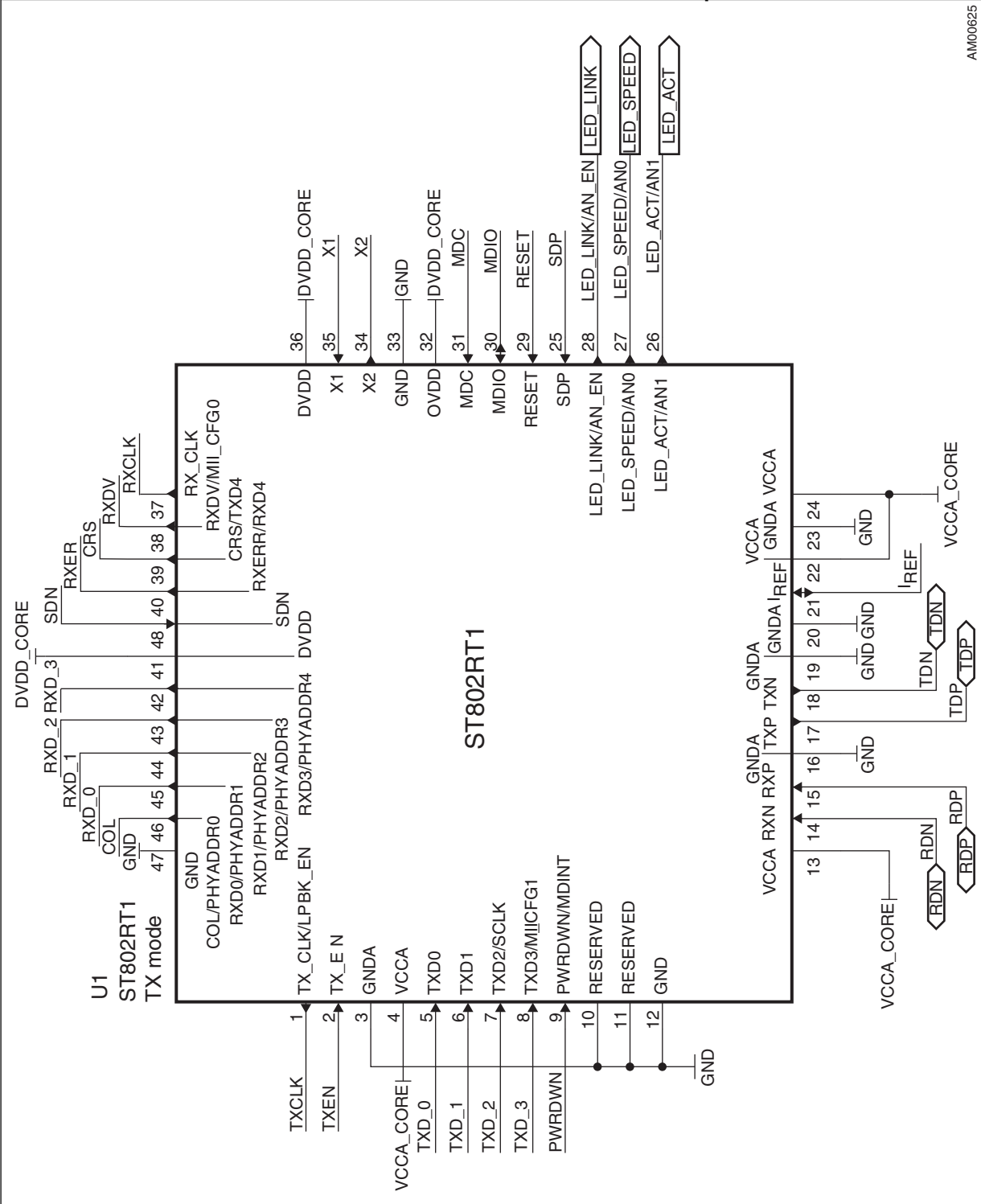


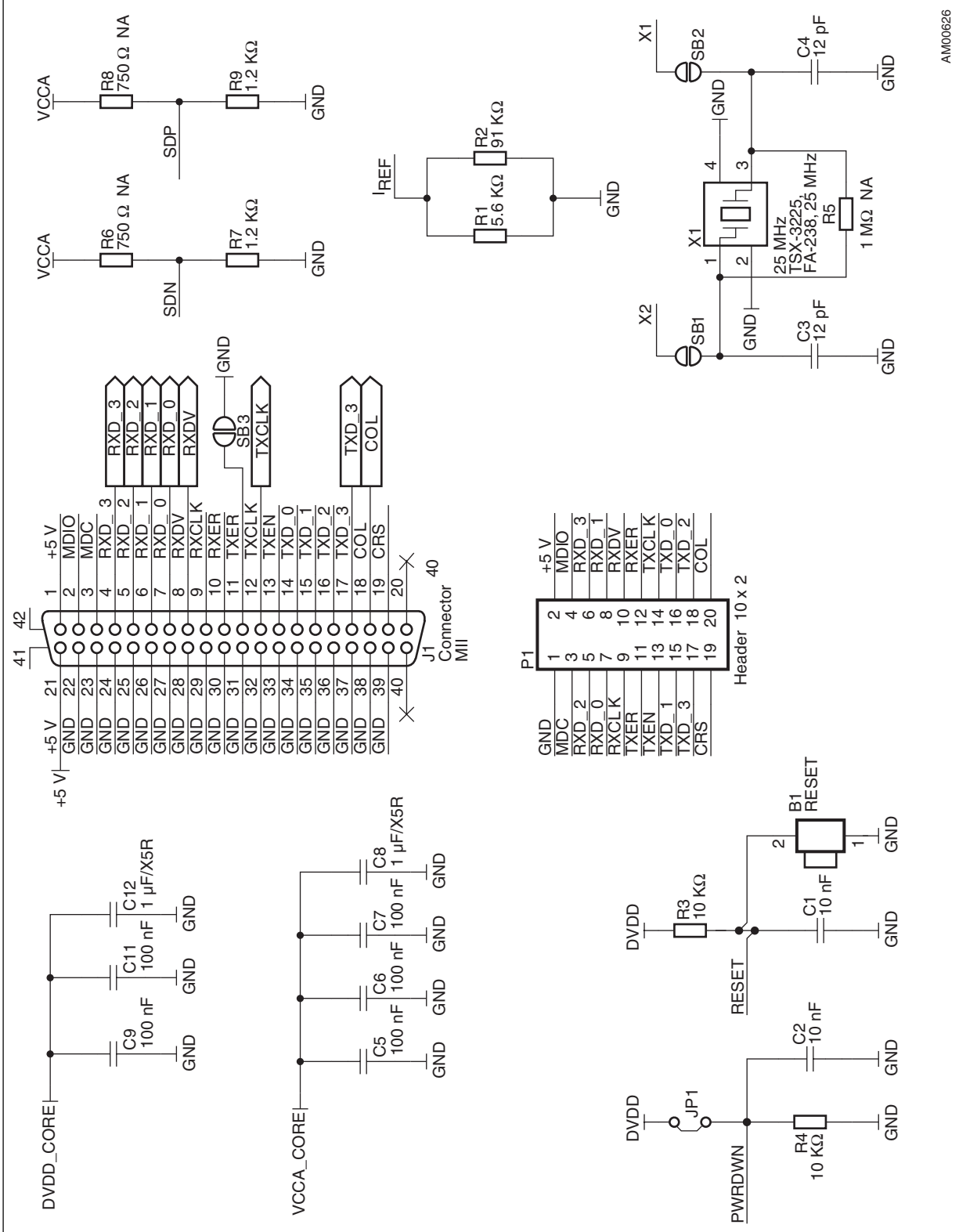
STEVAL-PCC010V1 ST802RT1 TX mode Ethernet PHY demonstration board - schematic

ST802RT1 TX mode Ethernet PHY demonstration board - schematic - part 1



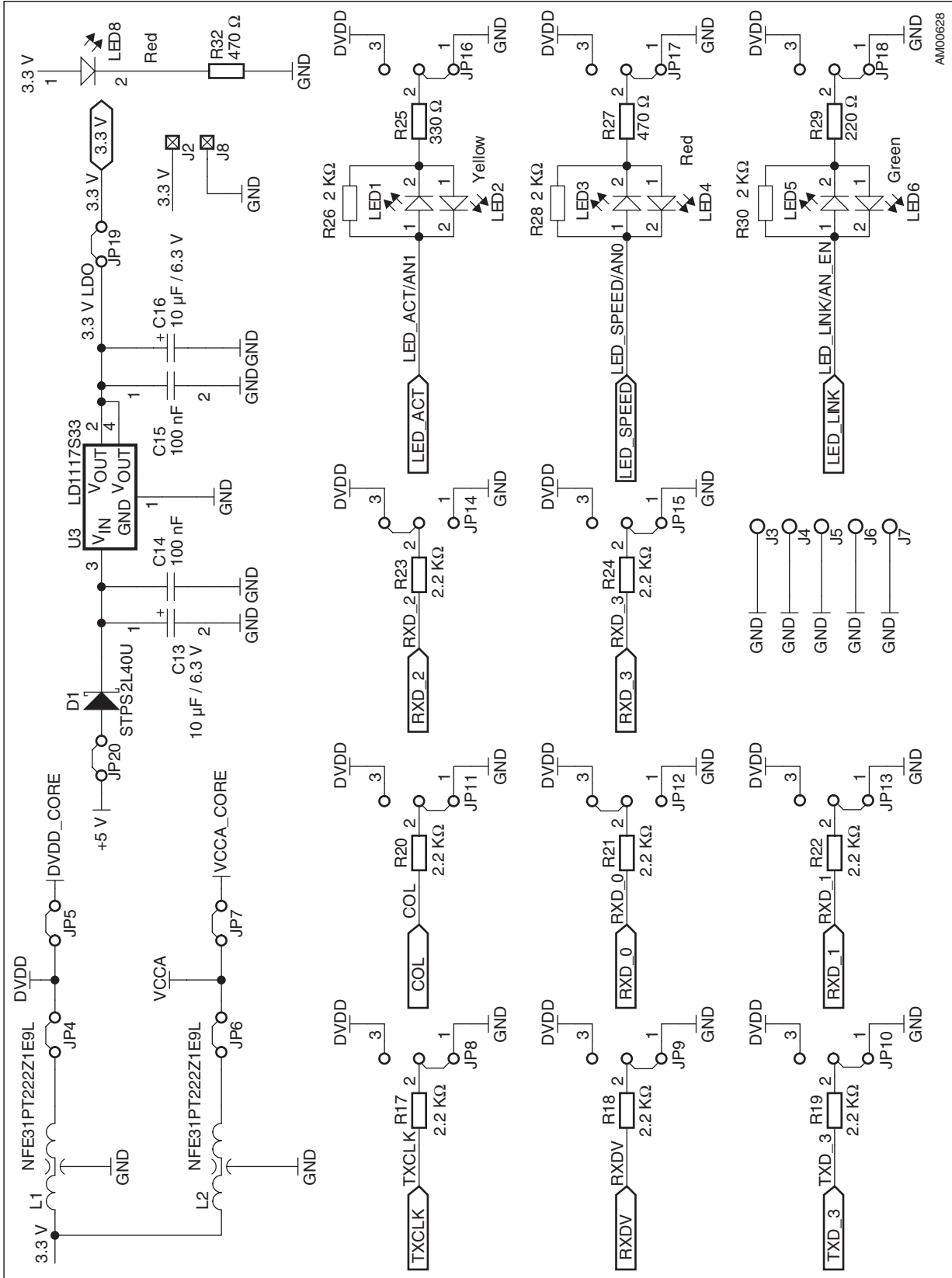
AM00625

ST802RT1 TX mode Ethernet PHY demonstration board - schematic - part 2



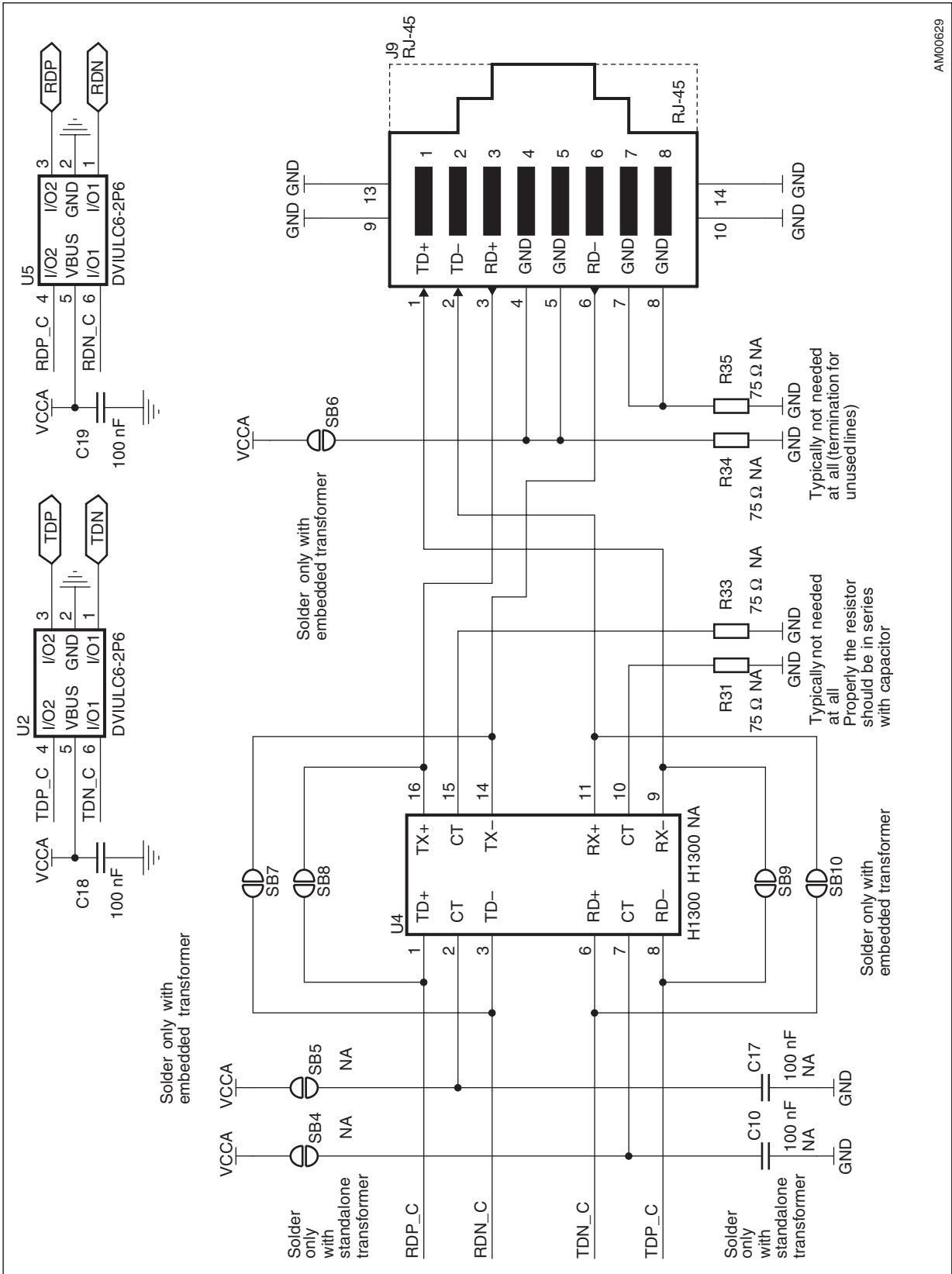
AM00626

ST802RT1 TX mode Ethernet PHY demonstration board - schematic - part 3



AM00628

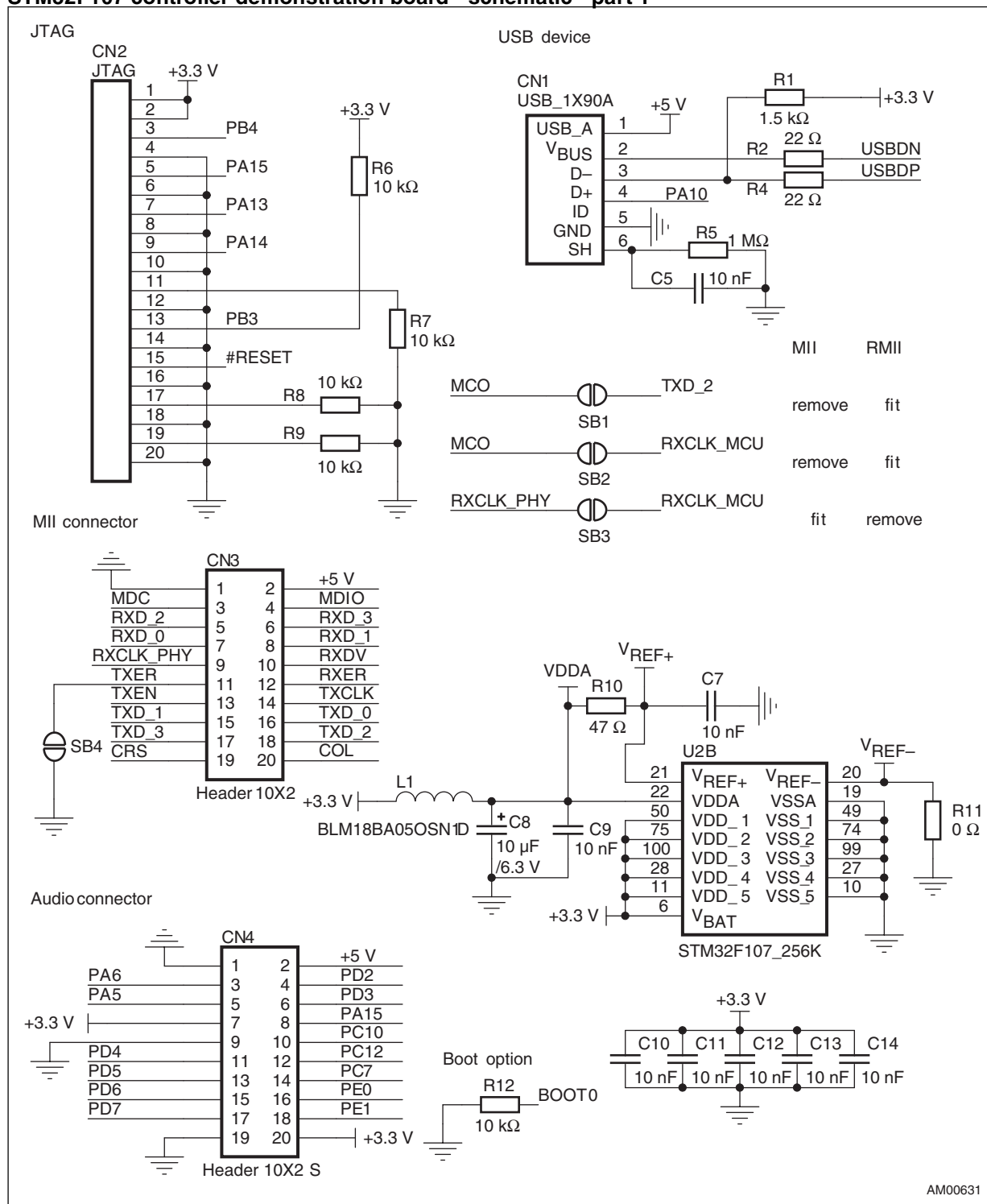
ST802RT1 TX mode Ethernet PHY demonstration board - schematic - part 4



AM00629

STEVAL-PCC010V1 STM32F107 controller demonstration board - schematic

STM32F107 controller demonstration board - schematic - part 1



AM00631

STM32F107 controller demonstration board - schematic - part 2

