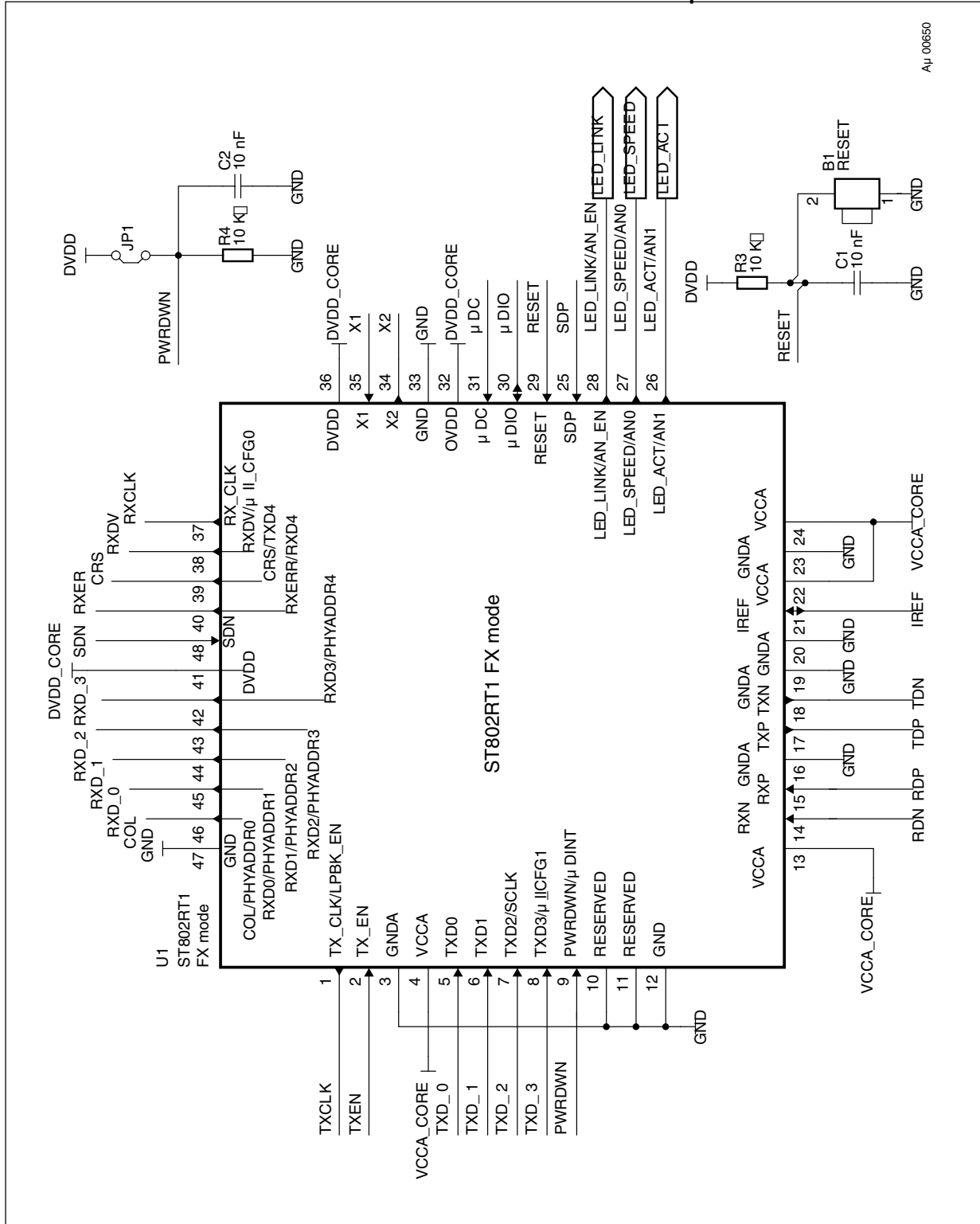


STEVAL-PCC011V1

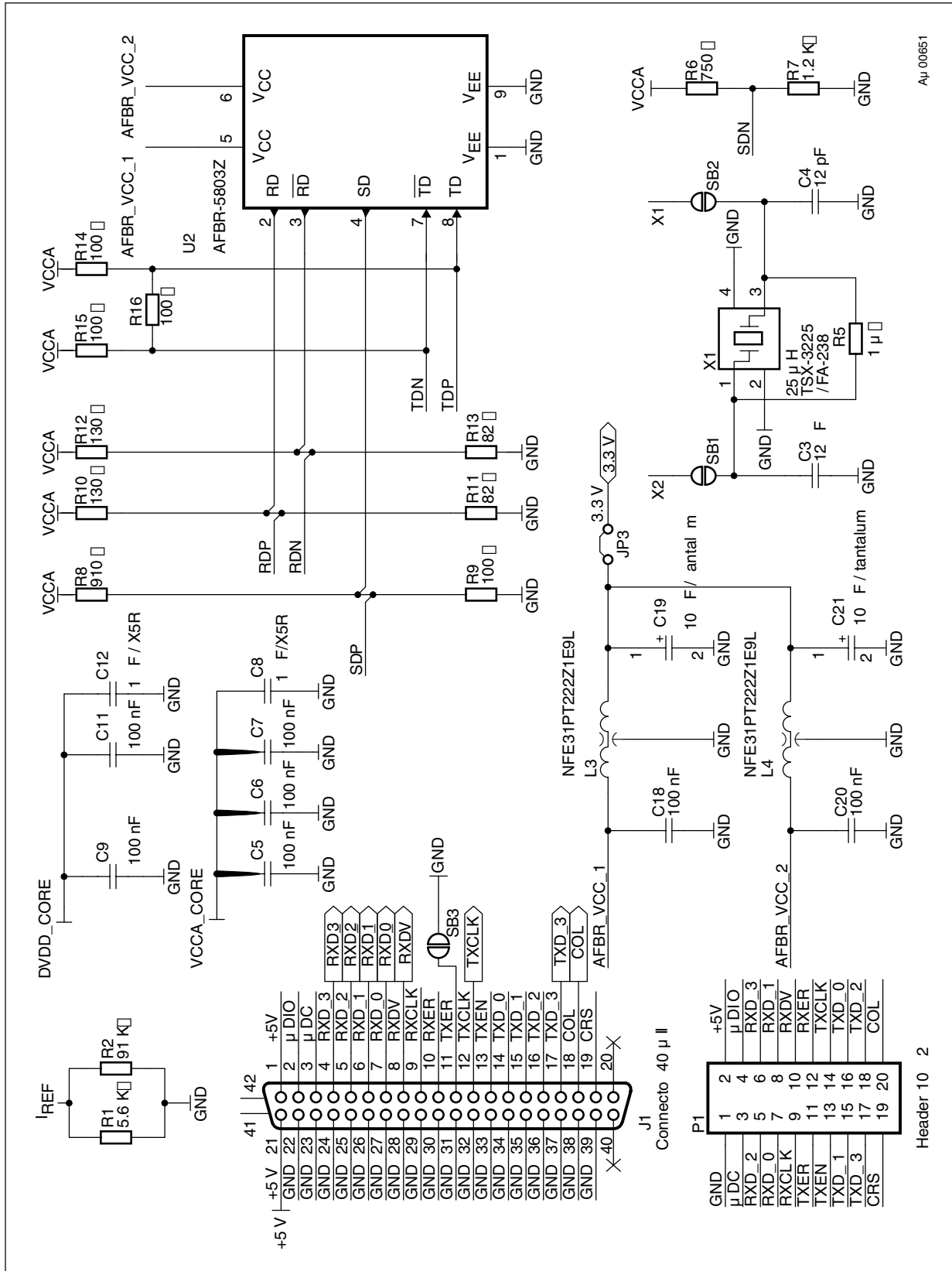
Schematic diagrams

ST802RT1 FX mode Ethernet PHY demonstration board schematic - part 1



Aj 00650

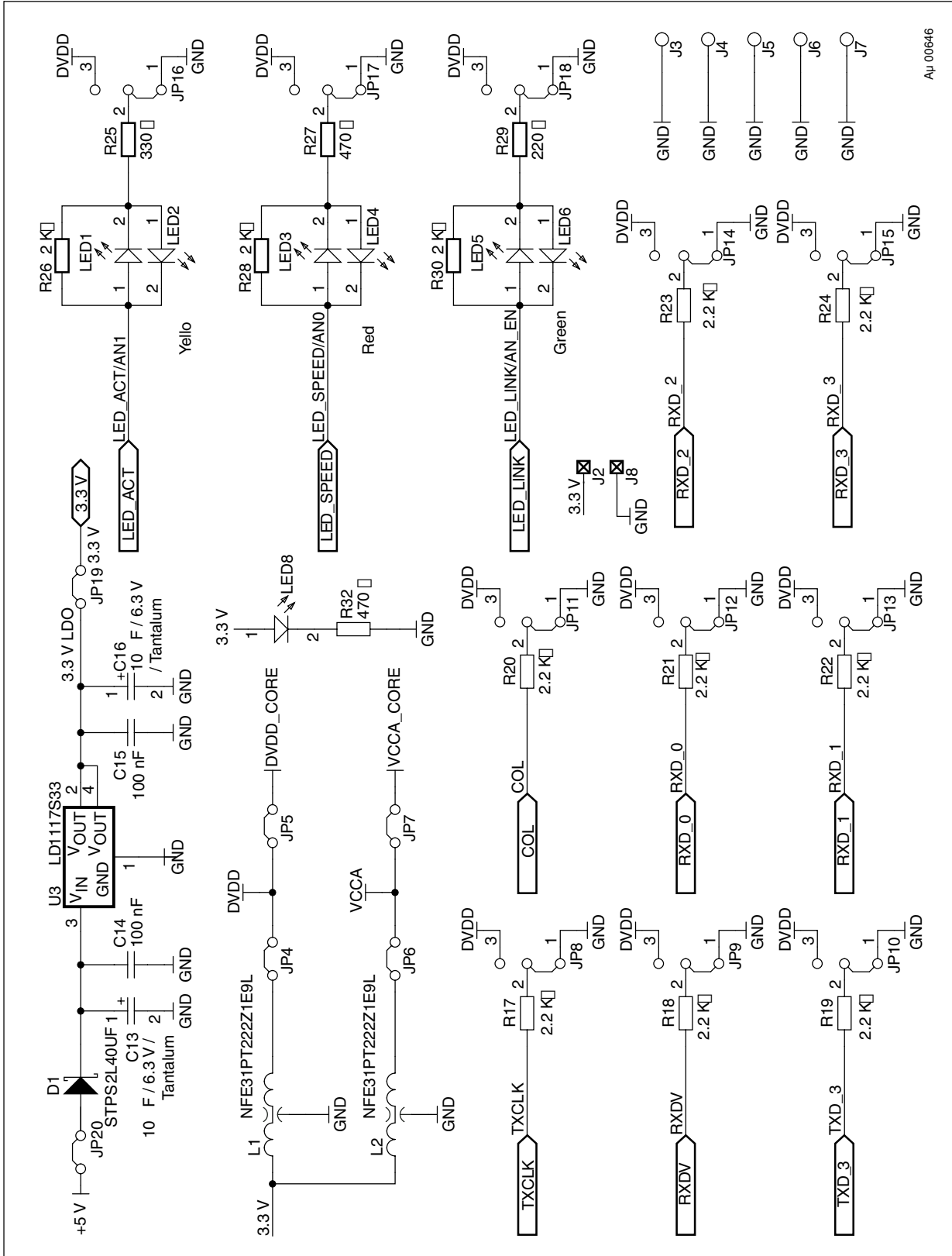
ST802RT1 FX mode Ethernet PHY demonstration board schematic - part 2



Ap_00651

Header 10 2

ST802RT1 FX mode Ethernet PHY demonstration board schematic - part 3



Aj 00646