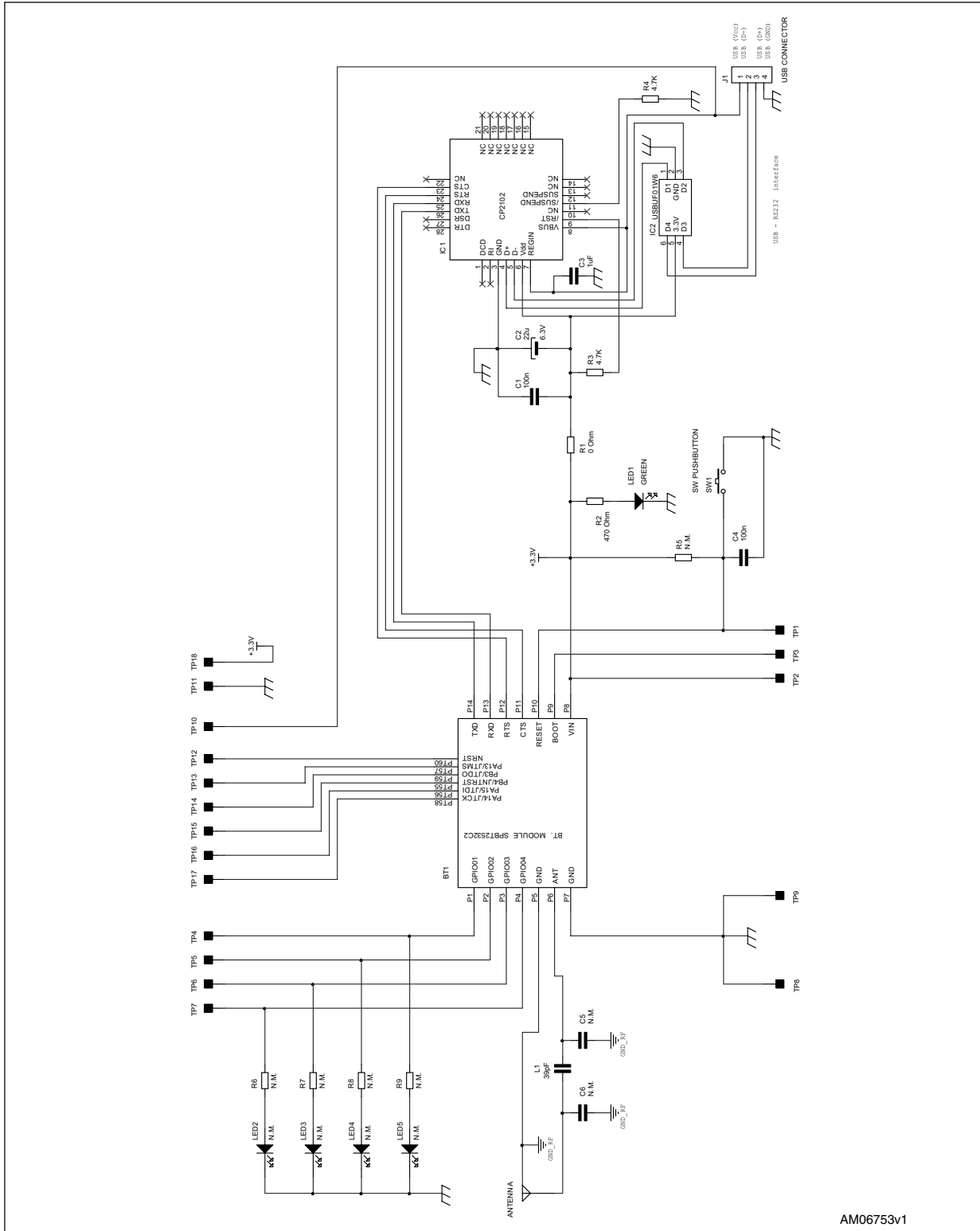


STEVAL-SPBT2ATV3

Dongle schematic



AM06753v1