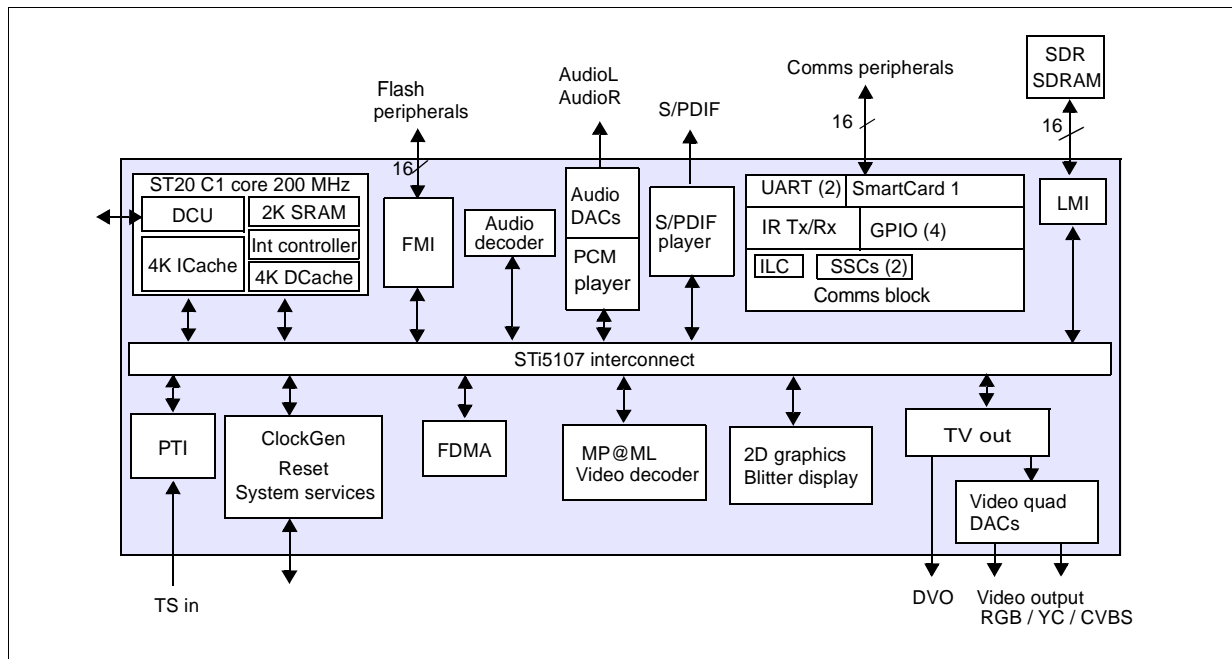


Low-cost interactive set-top box decoder

Data Brief

Features

- Enhanced ST20 32-bit VL-RISC CPU
 - Unified memory interface
 - up to 166 MHz, 16-bit wide SDR SDRAM interface
 - Programmable flash memory interface
 - Programmable transport interface (PTI)
 - single transport stream input
 - support for DVB transport streams
 - MPEG-2 MP@ML video decoder
 - Graphics and display
 - 3 display planes
 - 2D paced blitter engine with fill function
 - digital video output: compliant with CCIR 601/CCIR 656
 - PAL/NTSC/SECAM encoder
 - RGB, CVBS, Y/C and YUV outputs with four 10-bit DAC outputs.
 - Central DMA controller
- Audio subsystem
 - simultaneous MPEG audio decode and output of Dolby streams on S/PDIF
 - IEC958/IEC1937 digital audio output interface
- On-chip peripherals
 - 2 ASCs (UARTs) with Tx and Rx FIFOs
 - 3 banks of 8-bit and 1 bank of 7-bit parallel I/O
 - smartcard interface and clock generator
 - integrated VCXO
- Advanced security ready
- JTAG/TAP interface
- Package:
 - 23 mm x 23mm PBGA32
 - 15 mm x 15 mm LFBGA



1 Description

1.1 General

The STi5107 is the latest in the family of Omega2 set-top box ICs providing a high-performance, low-cost system-on-chip(SoC) for MPEG processing in cable, satellite or digital terrestrial STBs. It is a pin compatible IC derived from the STi5105, that supports multiple platform using a unified architecture. STi5107 is compatible with the latest CA advanced security specifications.

The STi5107 delivers enhanced performance with respect to previous devices. Main memory is based upon a single 16-bit external SDR SDRAM.

The display architecture of the device is based upon a high performance blitter engine that supports CLUT8 and RGB16 formats for background, video and OSD/graphics displays. It makes the porting of middleware easier with greater rendering.

1.2 Applications

Figure 1. Basic terrestrial pay TV

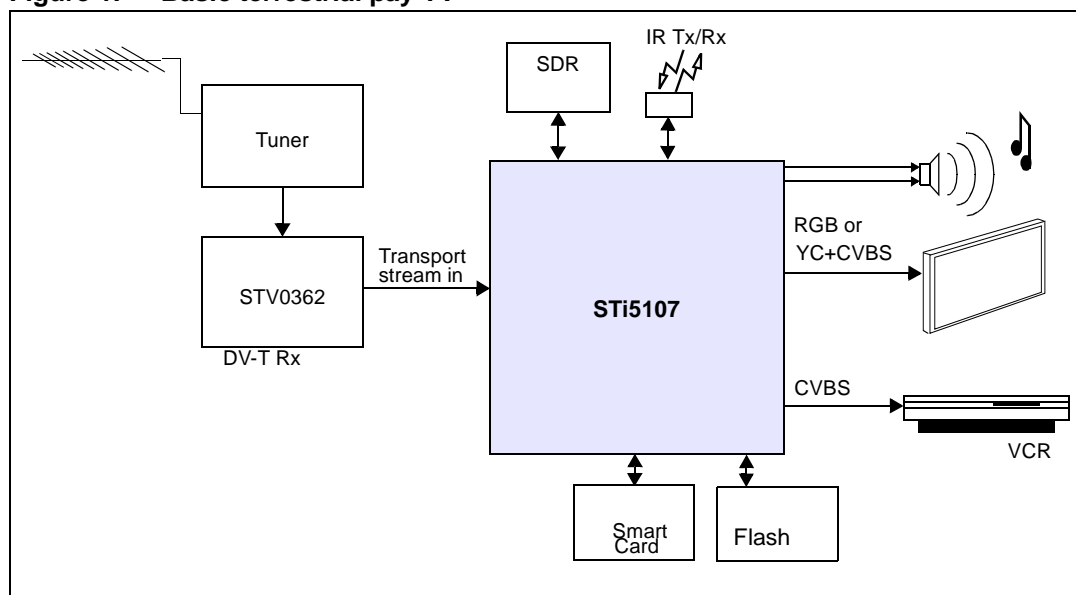


Figure 2. Basic satellite pay TV receiver

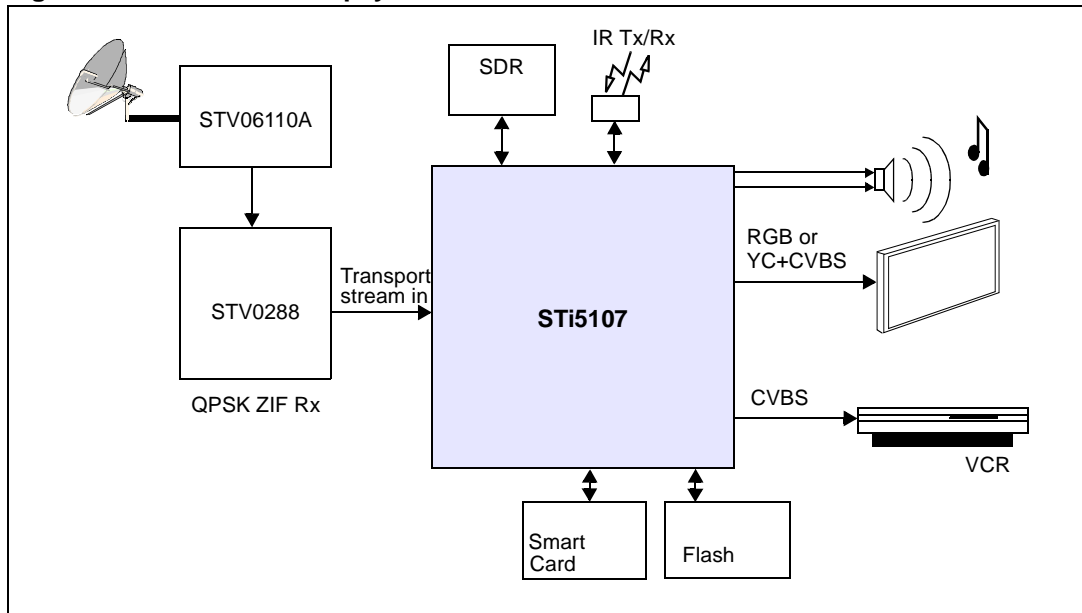
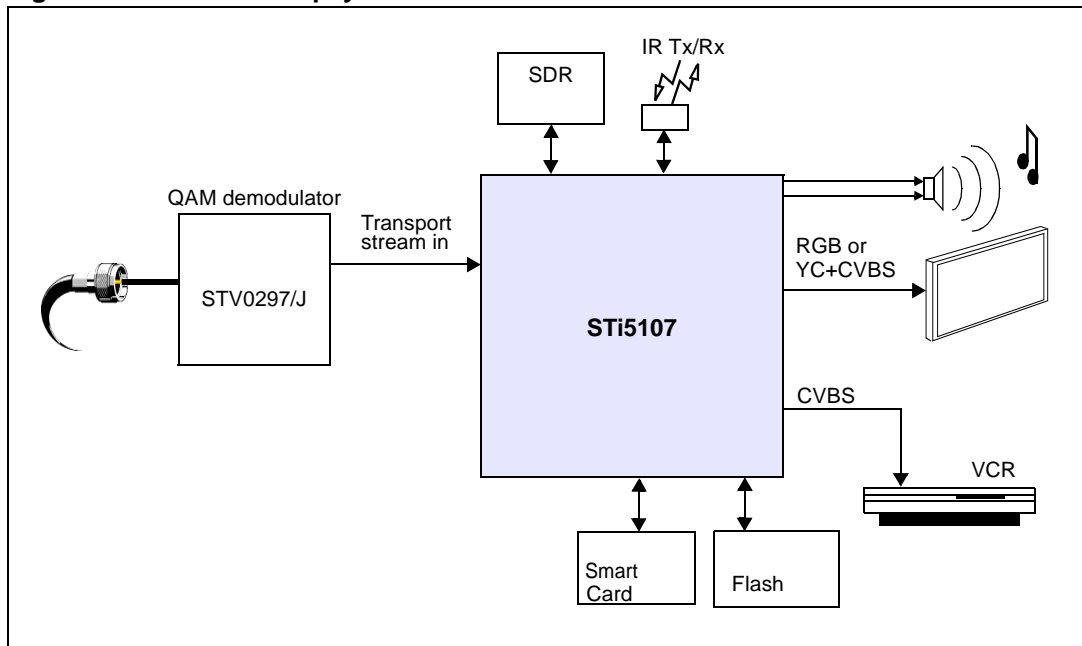


Figure 3. Basic cable pay TV receiver



2 Ordering information

Table 1. Ordering information

Order code	Packaging	Description
STi5107ZBB	LFPGA 15 x 15 mm	Development version, all options
STi5107ZYB	PBGA 23 x 23 mm	Development version, all options

3 Revision history

Table 2. Document revision history

Date	Revision	Changes
05-Dec-2006	1	Initial release
14-Nov-2008	2	Simplified version (page 1, 2 and 3 only from previous version) LQFP216 24 x 24 mm replaced by LFBGA 15 x 15 mm STV6000 replaced by STV6110A in Figure 2

Please Read Carefully:

Information in this document is provided solely in connection with ST products. STMicroelectronics NV and its subsidiaries ("ST") reserve the right to make changes, corrections, modifications or improvements, to this document, and the products and services described herein at any time, without notice.

All ST products are sold pursuant to ST's terms and conditions of sale.

Purchasers are solely responsible for the choice, selection and use of the ST products and services described herein, and ST assumes no liability whatsoever relating to the choice, selection or use of the ST products and services described herein.

No license, express or implied, by estoppel or otherwise, to any intellectual property rights is granted under this document. If any part of this document refers to any third party products or services it shall not be deemed a license grant by ST for the use of such third party products or services, or any intellectual property contained therein or considered as a warranty covering the use in any manner whatsoever of such third party products or services or any intellectual property contained therein.

UNLESS OTHERWISE SET FORTH IN ST'S TERMS AND CONDITIONS OF SALE ST DISCLAIMS ANY EXPRESS OR IMPLIED WARRANTY WITH RESPECT TO THE USE AND/OR SALE OF ST PRODUCTS INCLUDING WITHOUT LIMITATION IMPLIED WARRANTIES OF MERCHANTABILITY, FITNESS FOR A PARTICULAR PURPOSE (AND THEIR EQUIVALENTS UNDER THE LAWS OF ANY JURISDICTION), OR INFRINGEMENT OF ANY PATENT, COPYRIGHT OR OTHER INTELLECTUAL PROPERTY RIGHT.

UNLESS EXPRESSLY APPROVED IN WRITING BY AN AUTHORIZED ST REPRESENTATIVE, ST PRODUCTS ARE NOT RECOMMENDED, AUTHORIZED OR WARRANTED FOR USE IN MILITARY, AIR CRAFT, SPACE, LIFE SAVING, OR LIFE SUSTAINING APPLICATIONS, NOR IN PRODUCTS OR SYSTEMS WHERE FAILURE OR MALFUNCTION MAY RESULT IN PERSONAL INJURY, DEATH, OR SEVERE PROPERTY OR ENVIRONMENTAL DAMAGE. ST PRODUCTS WHICH ARE NOT SPECIFIED AS "AUTOMOTIVE GRADE" MAY ONLY BE USED IN AUTOMOTIVE APPLICATIONS AT USER'S OWN RISK.

Resale of ST products with provisions different from the statements and/or technical features set forth in this document shall immediately void any warranty granted by ST for the ST product or service described herein and shall not create or extend in any manner whatsoever, any liability of ST.

ST and the ST logo are trademarks or registered trademarks of ST in various countries.

Information in this document supersedes and replaces all information previously supplied.

The ST logo is a registered trademark of STMicroelectronics. All other names are the property of their respective owners.

© 2008 STMicroelectronics - All rights reserved

STMicroelectronics group of companies

Australia - Belgium - Brazil - Canada - China - Czech Republic - Finland - France - Germany - Hong Kong - India - Israel - Italy - Japan - Malaysia - Malta - Morocco - Singapore - Spain - Sweden - Switzerland - United Kingdom - United States of America

www.st.com