



Adapter board for single and
double axis gyroscopes in a 5x5 mm package

Introduction

This document applies to all adapter boards related to ST MEMS single and double axis gyroscopes in 5 x 5 mm packages, hereafter referred to as “STEVAL-MKI0xxV1”.

The STEVAL-MKI0xxV1 is an adapter board designed to facilitate the evaluation of the LPR5xxxAL, LPY5xxxAL, LY5xxxALH product families. The board offers an effective solution for fast system prototyping and device evaluation directly within the user’s own application.

The STEVAL-MKI0xxV1 can be plugged into a standard DIL 24 socket. The adapter provides the complete LPR5xxxAL, LPY5xxxAL, LY5xxxALH pinout and comes ready-to-use with the required decoupling capacitors on the Vdd power supply line.

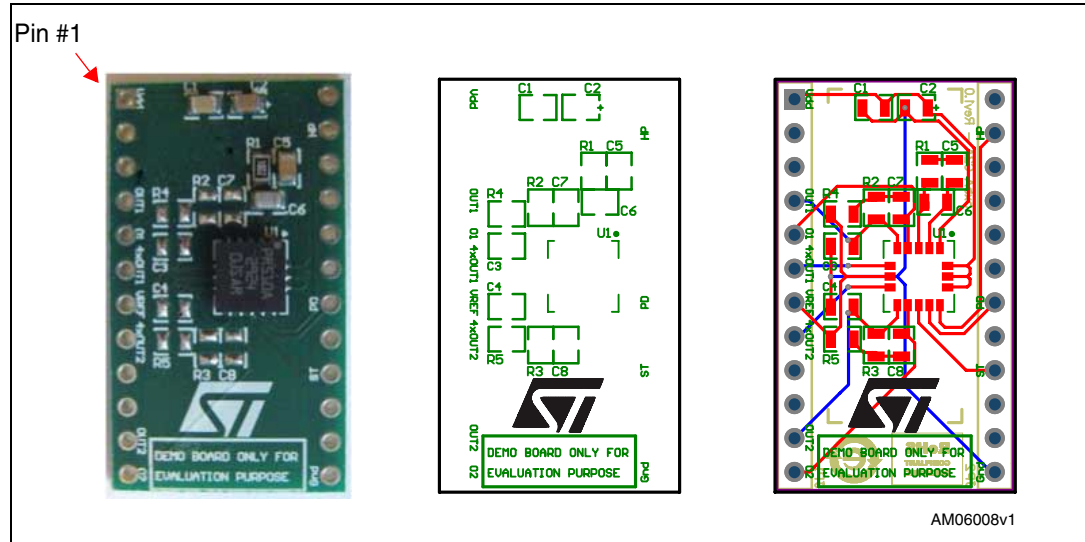
The pinout of the adapter is fully compatible with all other available adapter boards, making it possible to switch from one sensor to another easily during device evaluation without the need for board redesign.

This user manual provides information on the STEVAL-MKI0xxV1 only. For details regarding the LPR5xxxAL, LPY5xxxAL, LY5xxxALH products specifications, please refer to the datasheet for the devices.

1 Adapter board layout and pin description

A photograph of the adapter board is shown in [Figure 1](#), together with an illustration of the top silk-screen layer and the board layout.

Figure 1. Adapter board photograph, top silk-screen layer and board layout



In addition to the MEMS sensor, the adapter board includes two filtering capacitors (10 μ F and 100 nF, respectively) on the analog Vdd power supply line.

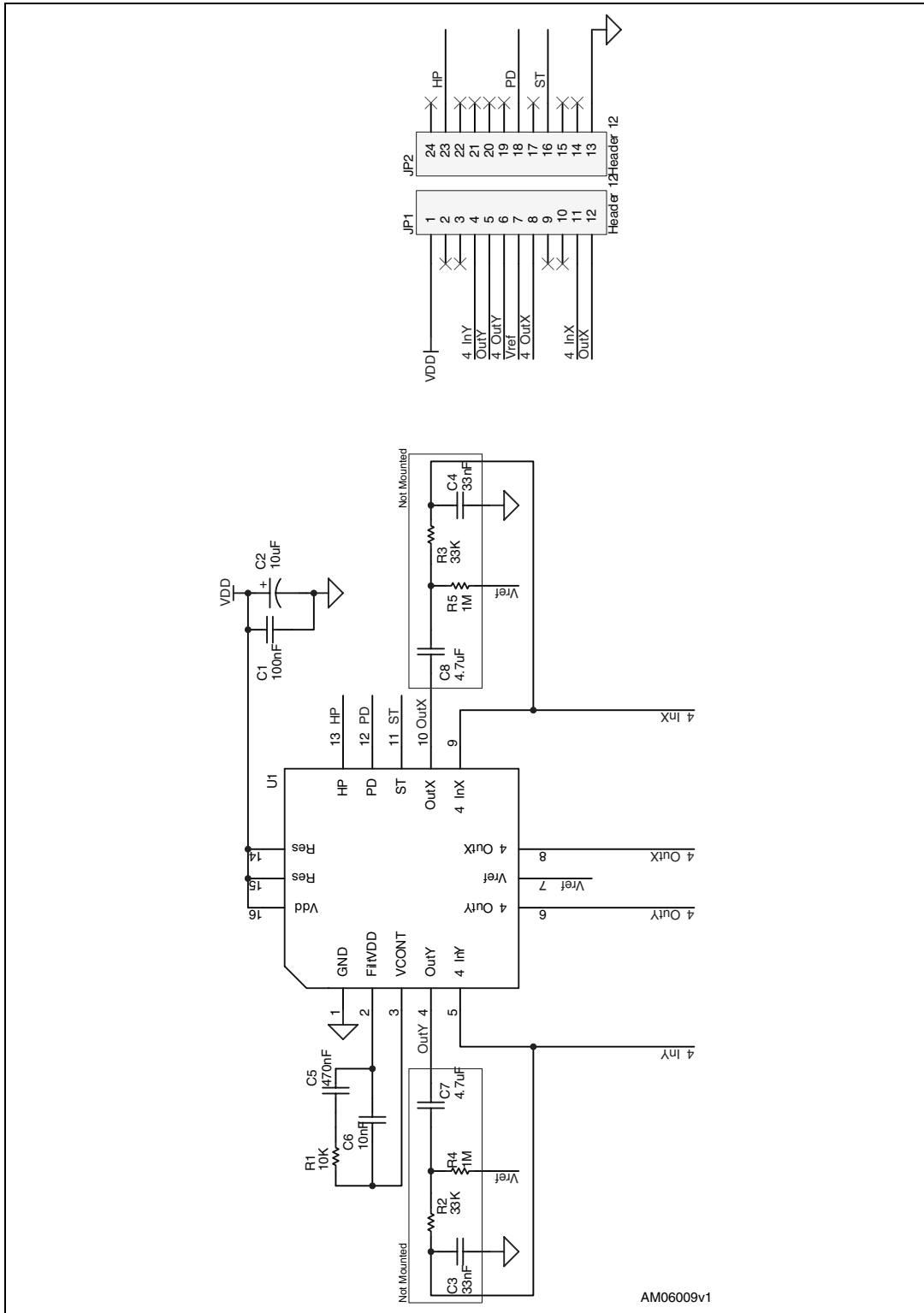
The pin description of the STEVAL-MKI0xxV1 is provided in [Table 1](#).

Table 1. STEVAL-MKI0xxV1 pin description

| Adapter board pin # | Pin name | Function |
|---------------------------------|----------|--|
| 1 | Vdd | Power supply |
| 2-3, 9-10, 14-15, 17, 19-22, 24 | NC | Not connected |
| 4 | OUT1 | Input of 4x amplifier |
| 5 | O1 | Y rate signal output voltage (not amplified) |
| 6 | 4x_OUT1 | Y rate signal output voltage (amplified) |
| 7 | Vref | Reference voltage |
| 8 | 4x_Out2 | X rate signal output voltage (amplified) |
| 11 | OUT2 | Input of 4x amplifier |
| 12 | O2 | X rate signal output voltage (not amplified) |
| 13 | GND | 0V supply voltage |
| 16 | ST | Self-test |
| 18 | PD | Power-down |
| 23 | HP | High pass filter reset |

2 Schematic and connection diagram

Figure 2. Schematic and connection diagram for the STEVAL-MKI0xxV1



3 Revision history

Table 2. Document revision history

| Date | Revision | Changes |
|-------------|----------|------------------|
| 17-Nov-2009 | 1 | Initial release. |

Please Read Carefully:

Information in this document is provided solely in connection with ST products. STMicroelectronics NV and its subsidiaries ("ST") reserve the right to make changes, corrections, modifications or improvements, to this document, and the products and services described herein at any time, without notice.

All ST products are sold pursuant to ST's terms and conditions of sale.

Purchasers are solely responsible for the choice, selection and use of the ST products and services described herein, and ST assumes no liability whatsoever relating to the choice, selection or use of the ST products and services described herein.

No license, express or implied, by estoppel or otherwise, to any intellectual property rights is granted under this document. If any part of this document refers to any third party products or services it shall not be deemed a license grant by ST for the use of such third party products or services, or any intellectual property contained therein or considered as a warranty covering the use in any manner whatsoever of such third party products or services or any intellectual property contained therein.

UNLESS OTHERWISE SET FORTH IN ST'S TERMS AND CONDITIONS OF SALE ST DISCLAIMS ANY EXPRESS OR IMPLIED WARRANTY WITH RESPECT TO THE USE AND/OR SALE OF ST PRODUCTS INCLUDING WITHOUT LIMITATION IMPLIED WARRANTIES OF MERCHANTABILITY, FITNESS FOR A PARTICULAR PURPOSE (AND THEIR EQUIVALENTS UNDER THE LAWS OF ANY JURISDICTION), OR INFRINGEMENT OF ANY PATENT, COPYRIGHT OR OTHER INTELLECTUAL PROPERTY RIGHT.

UNLESS EXPRESSLY APPROVED IN WRITING BY AN AUTHORIZED ST REPRESENTATIVE, ST PRODUCTS ARE NOT RECOMMENDED, AUTHORIZED OR WARRANTED FOR USE IN MILITARY, AIR CRAFT, SPACE, LIFE SAVING, OR LIFE SUSTAINING APPLICATIONS, NOR IN PRODUCTS OR SYSTEMS WHERE FAILURE OR MALFUNCTION MAY RESULT IN PERSONAL INJURY, DEATH, OR SEVERE PROPERTY OR ENVIRONMENTAL DAMAGE. ST PRODUCTS WHICH ARE NOT SPECIFIED AS "AUTOMOTIVE GRADE" MAY ONLY BE USED IN AUTOMOTIVE APPLICATIONS AT USER'S OWN RISK.

Resale of ST products with provisions different from the statements and/or technical features set forth in this document shall immediately void any warranty granted by ST for the ST product or service described herein and shall not create or extend in any manner whatsoever, any liability of ST.

ST and the ST logo are trademarks or registered trademarks of ST in various countries.

Information in this document supersedes and replaces all information previously supplied.

The ST logo is a registered trademark of STMicroelectronics. All other names are the property of their respective owners.

© 2009 STMicroelectronics - All rights reserved

STMicroelectronics group of companies

Australia - Belgium - Brazil - Canada - China - Czech Republic - Finland - France - Germany - Hong Kong - India - Israel - Italy - Japan - Malaysia - Malta - Morocco - Philippines - Singapore - Spain - Sweden - Switzerland - United Kingdom - United States of America

www.st.com

