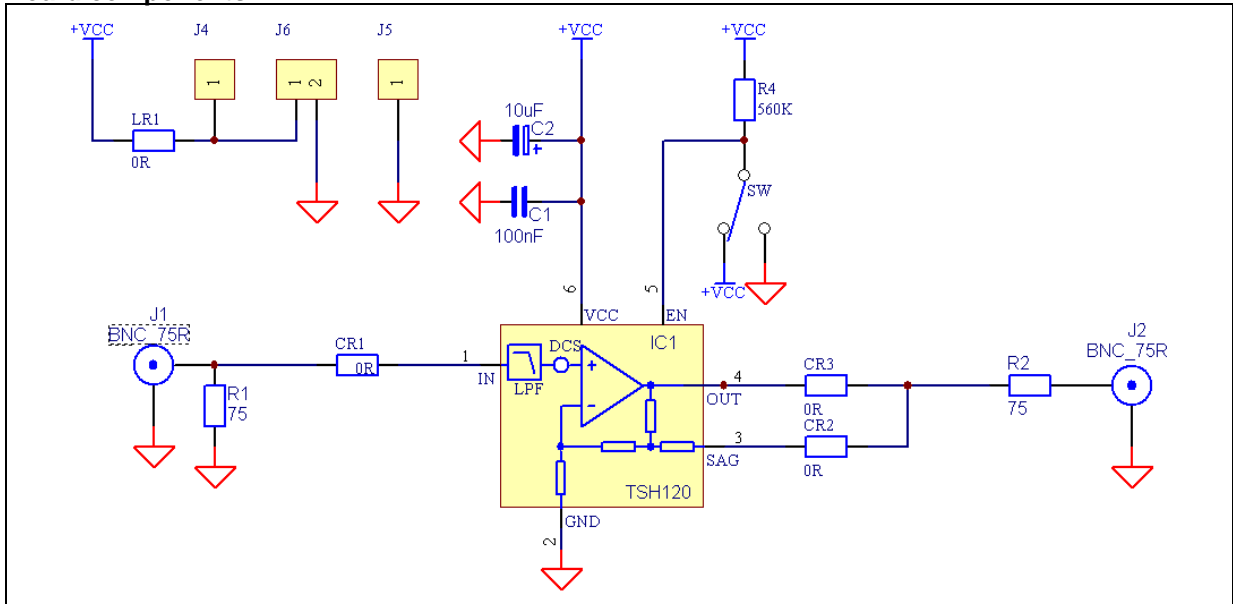


# STEVAL-CCA010V1 Schematic diagram and board components

## Board components



## Full layout schematics

