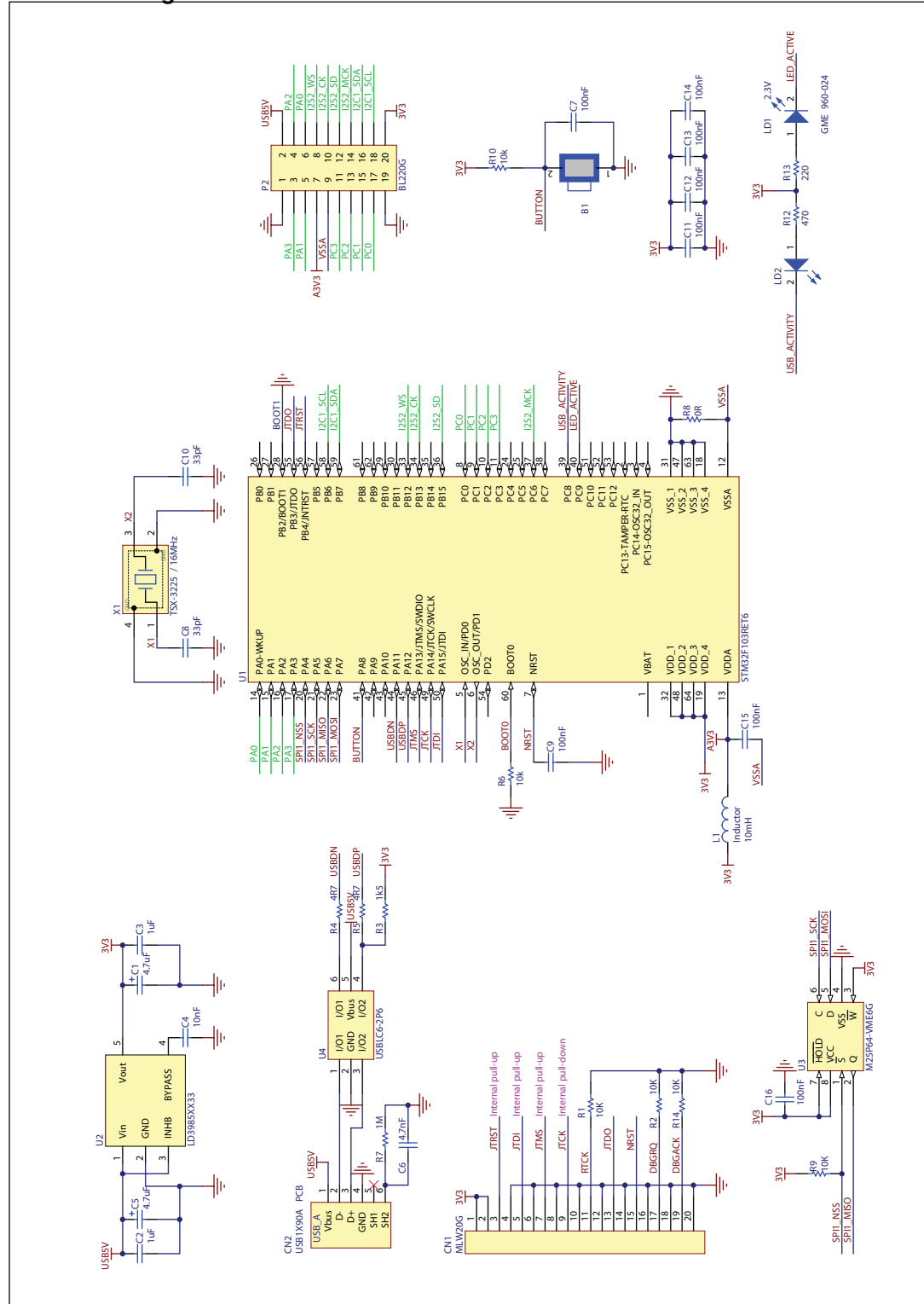


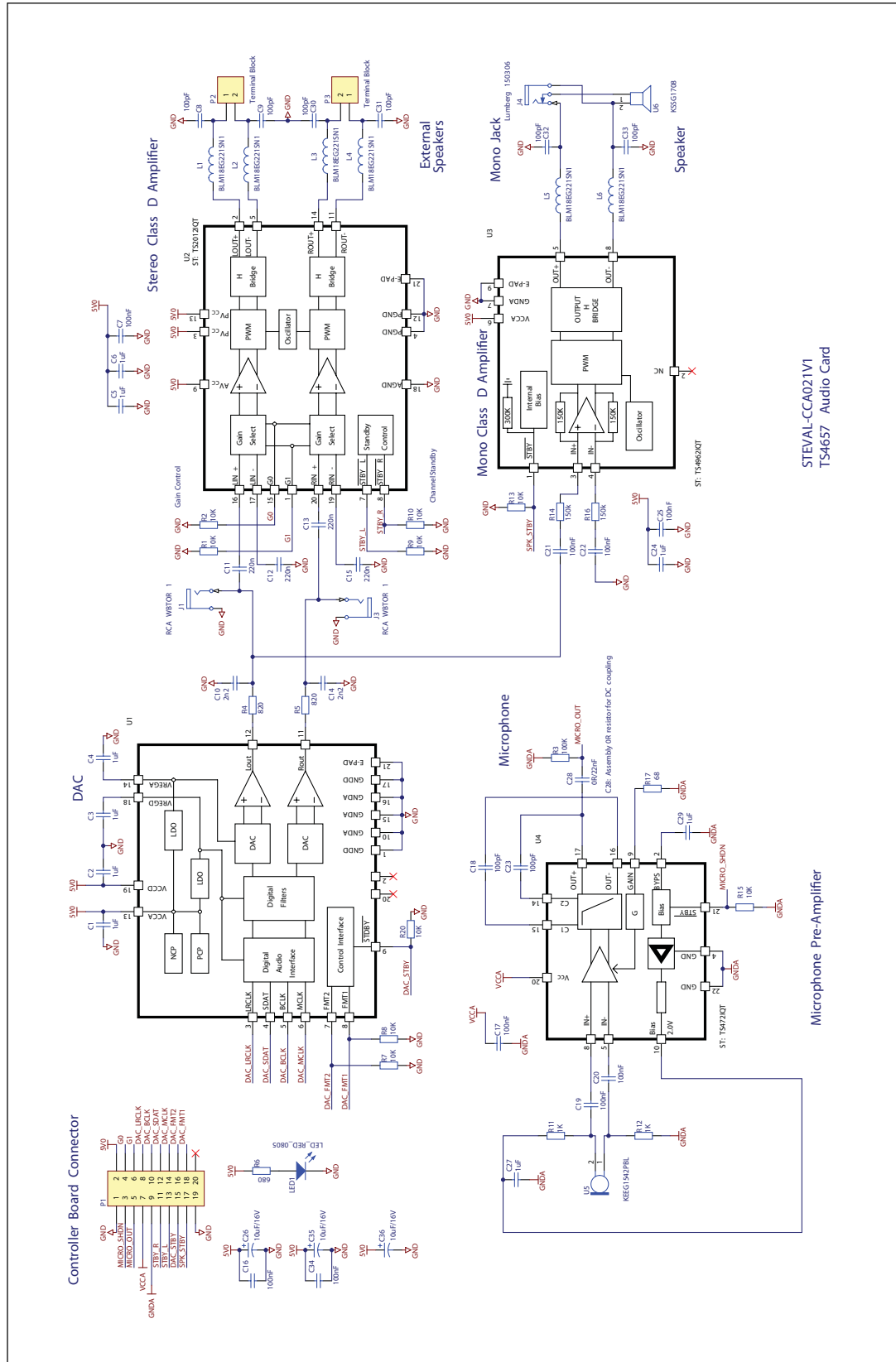
# STEVAL-CCA021V1

# Schematic diagrams

Schematic diagram of the STM32F103RE-based controller board



# Schematic circuit of the TS4657-based audio board



STEVAL-CCA021V1  
TS4657 Audio Card