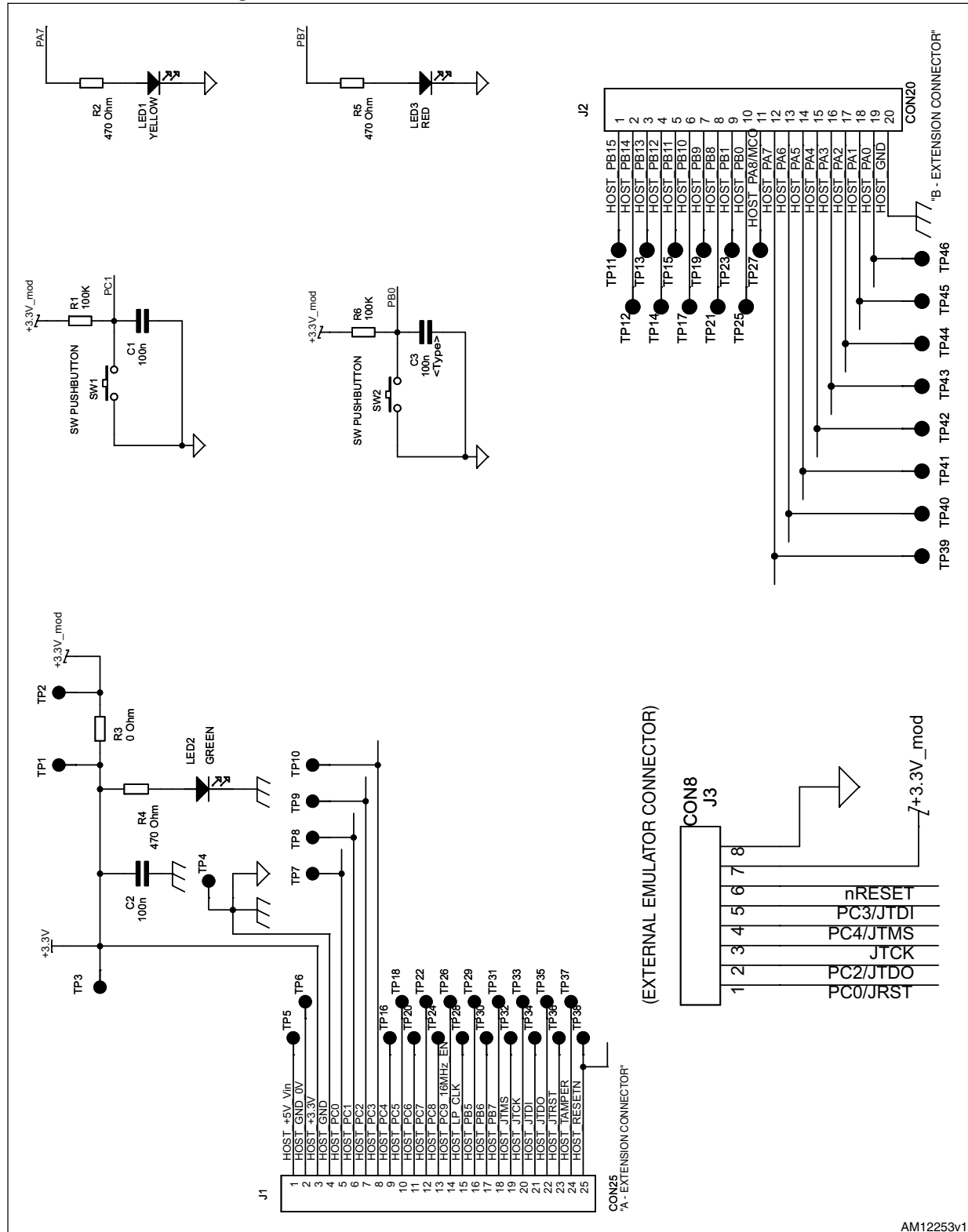
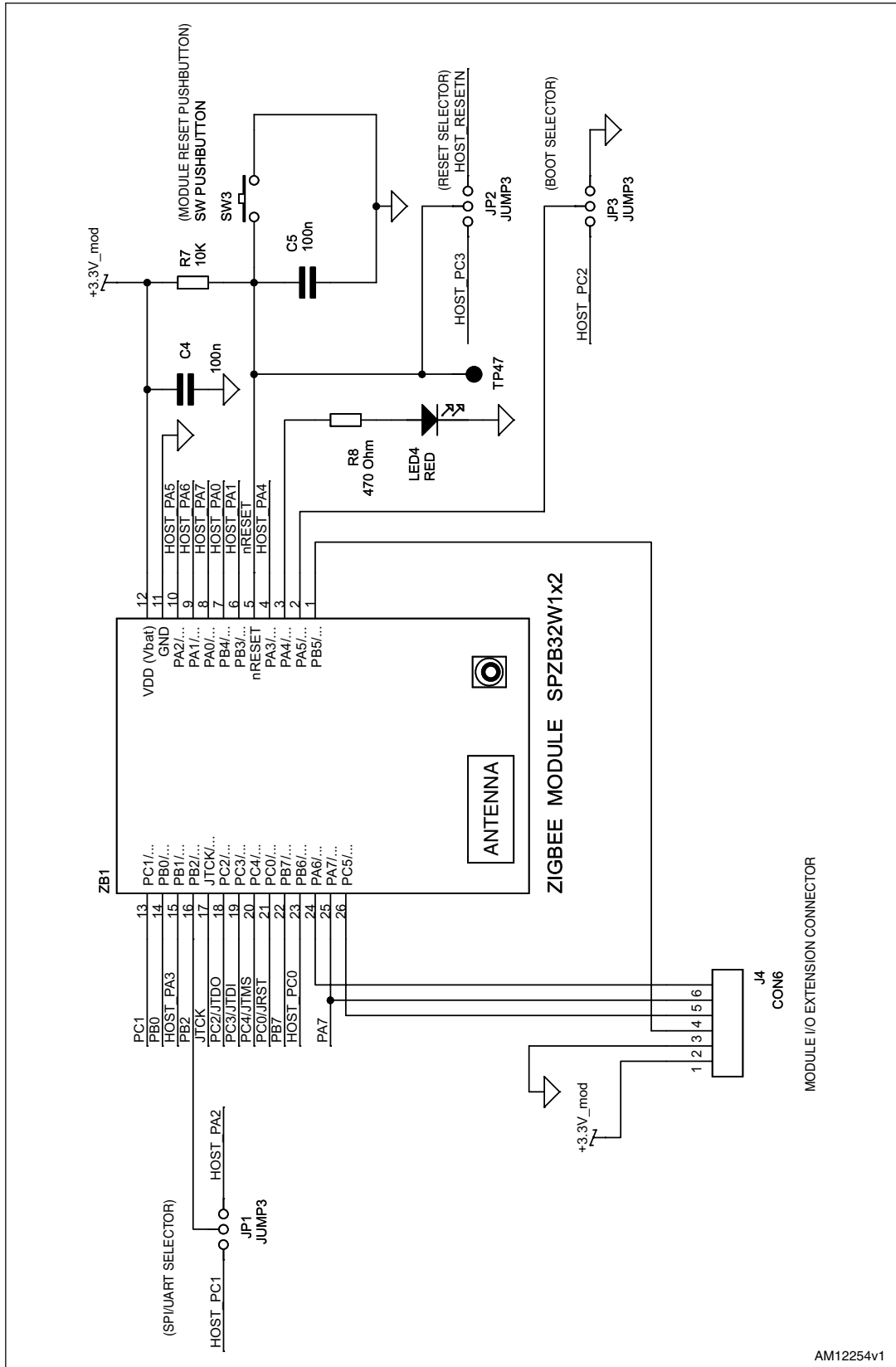


Board electrical drawing



ZigBee module



AM12254v1