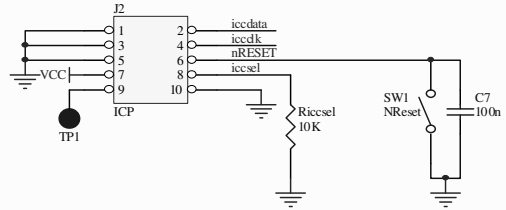
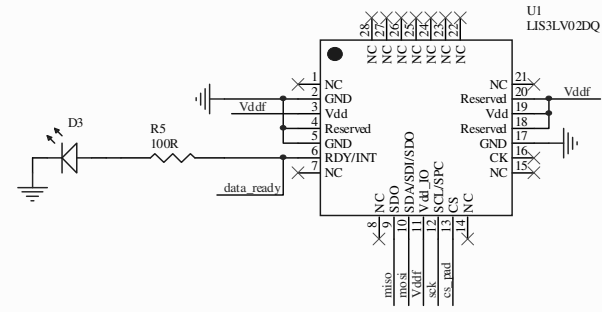
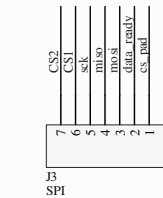
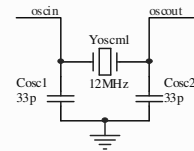
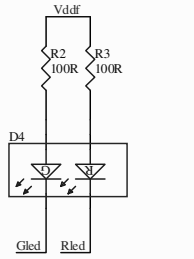
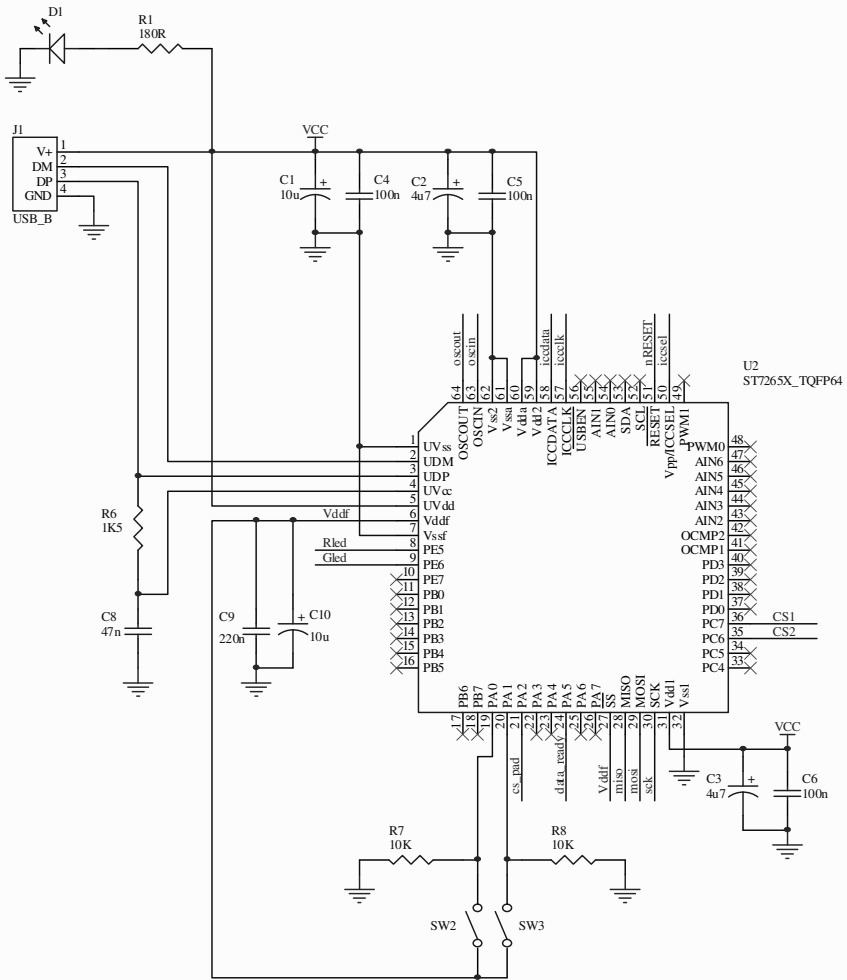


**MBU**  
Application Lab.  
EK3LV02DQ



Title			EK3LV02DQ		
Size	Number		Revision		
B			1.2		
Date:	6/28/2006	Sheet	1 of		
File:	CAMBUA_EK3LV02DQ Rev1.2.schdoc	Drawn By:	Iascone C. - Minotti M.		