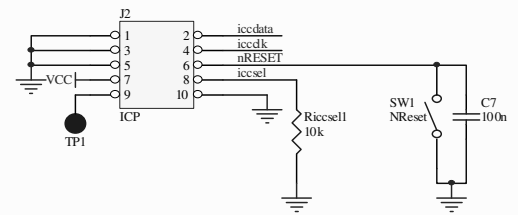
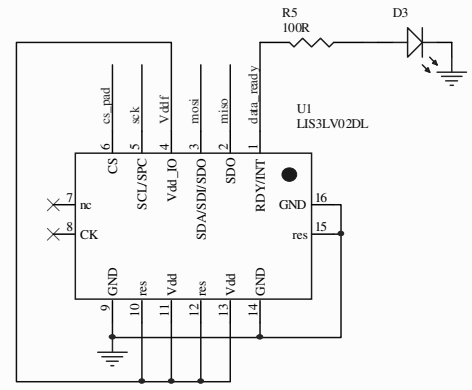
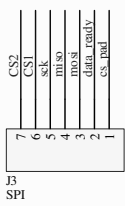
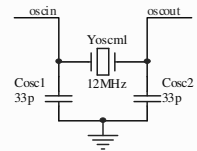
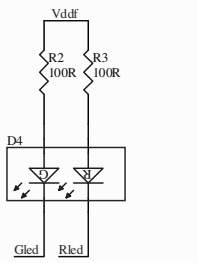
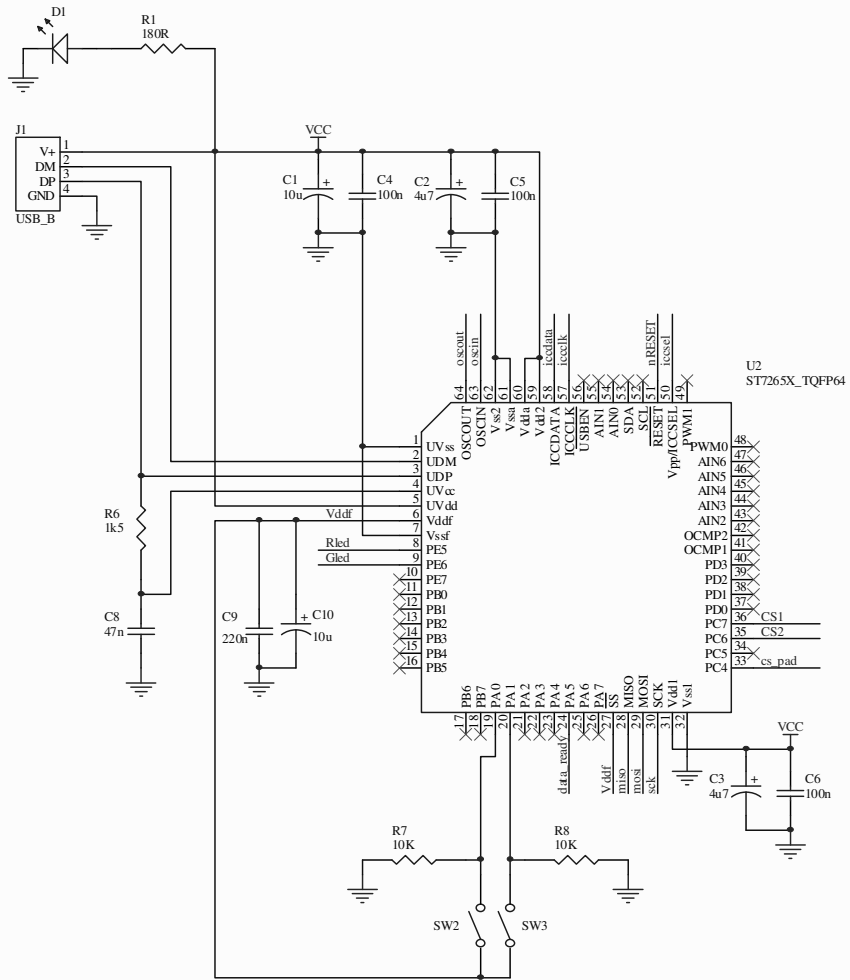


**MBU**  
Application Lab.  
EK3LV02DL



Title			EK3LV02DL		
Size	Number	Revision			
B		1.2			
Date:	5/23/2006	Sheet 1 of	1		
File:	CAMBUA_EK3LV02DL_Rev1.2.schdoc	Drawn By:			