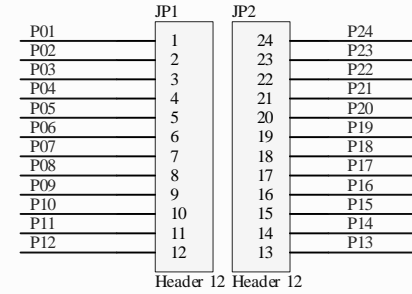
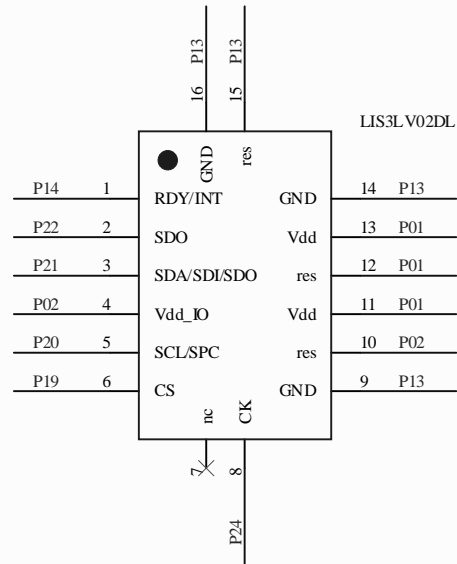
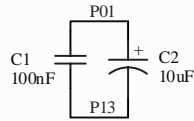



FTM MBU Application Lab



Title LIS3LV02DL Adapter to DIL24			STMicroelectronics S.r.l. Via Tolomeo 1 20010 Cornaredo (MI) - Italy	
Size: A4	Number:	Revision: 1.0		
Date: 9/28/2006	Time: 5:01:19 PM	Sheet 1 of 1	Minotti M.	
File: C:\MBU\GIS Adapter to DIL24\LIS3LV02DL Adapter to DIL24\LIS3LV02DL Adapter to DIL24.schdoc			www.st.com/mems	