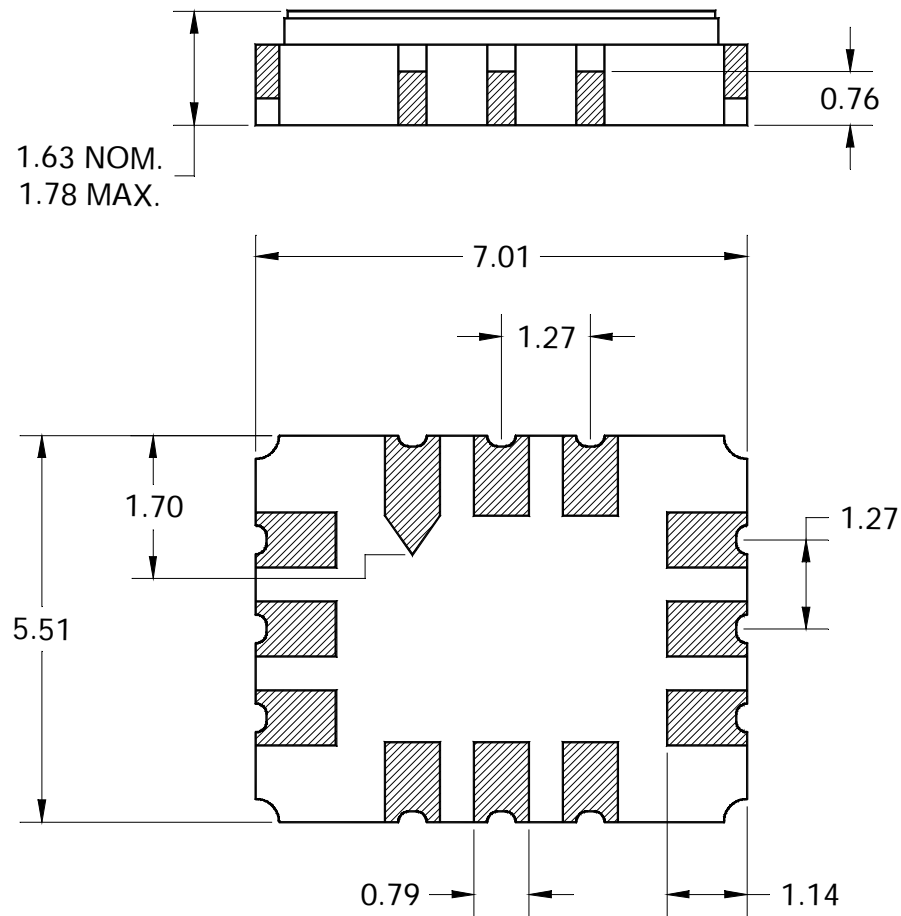


7.01 x 5.51mm Surface Mount Package *SMP-28B*



Dimensions shown are nominal in millimeters
All tolerances are $\pm 0.15\text{mm}$ except overall dimension $7.01 \pm 0.13\text{mm}$ by $5.51 \pm 0.13\text{mm}$

Body: Al_2O_3 ceramic

Lid: Kovar, Ni plated

Terminations: Au plating $0.5 - 1.0\mu\text{m}$, over a $2 - 6\mu\text{m}$ Ni plating

www.BDITC.com/TriQuint/