

4

3

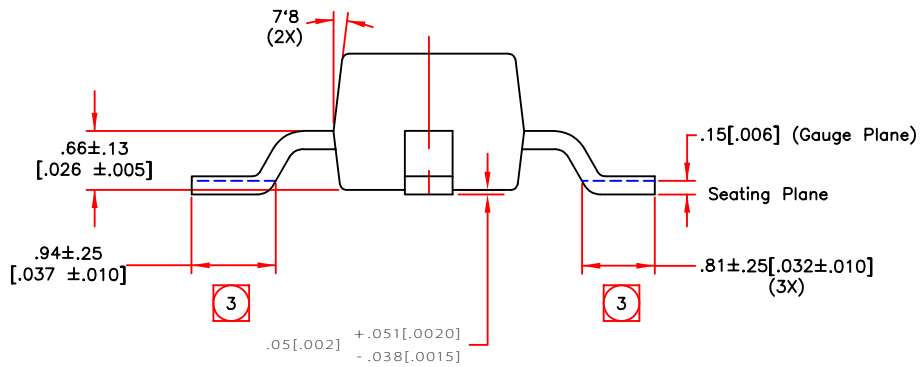
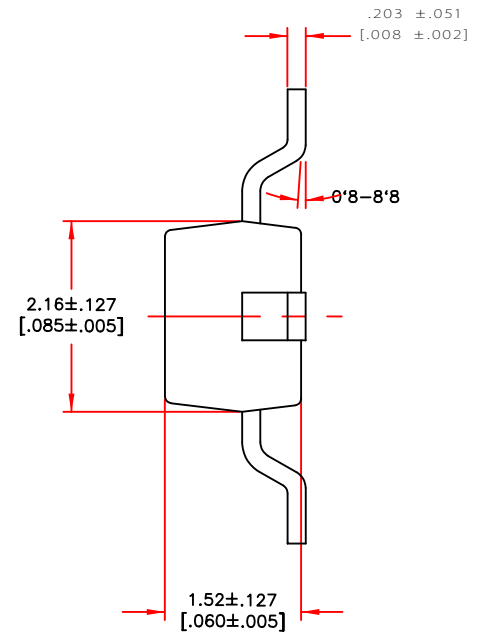
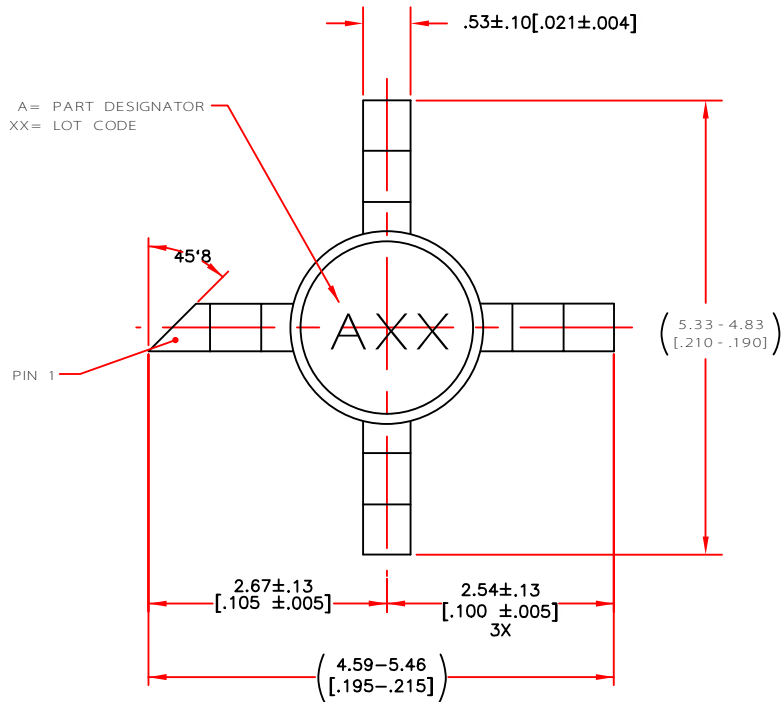
2

1

NOTES:

- 1. UNIT WEIGHT .XXX OUNCES MAX.
- 2. DIMENSIONS ARE IN MILLIMETERS [INCHES].
- 3. FOOT LENGTH MEASUREMENT IS BASED ON THE GAUGE PLANE METHOD.
- 4. TOLERANCE .XXX ± .381[.015]  
.XX ± .51[.02]

REVISION				
REV	DESCRIPTION	ECO	DATE	BY/APPD



DR G. MARLEY	02-08-21	COMMUNICATIONS, INC. PALO ALTO, CALIFORNIA	ICD, SOT - 86 (MICRO X)	REV 1
CHK				
ENG J. TOBIAS	02-08-21	SCALE 1/1	CAGE CODE 14482	SHEET 1 OF 1
MFG A. MANZI	02-08-21			
QA				
TF				
CONT				

WJ COMMUNICATIONS PROPRIETARY INFORMATION

INTERFACE CONTROL DRAWING

www.BDTIC.com/TriQuint/