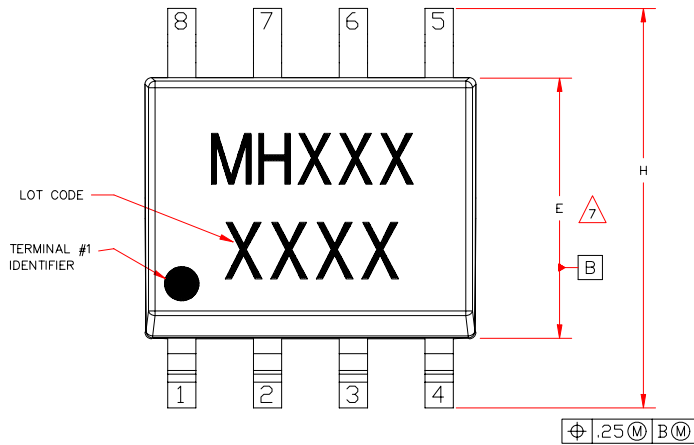




# SOIC-8

## Package Outline Drawing



### NOTES:

1. EXCEPT WHERE NOTED, THIS PART OUTLINE CONFORMS TO JEDEC STANDARD MS-012, ISSUE C FOR SMALL OUTLINE (SD) PERIPHERAL TERMINALS 3.75mm BODY WIDTH (PLASTIC).

2. DIMENSIONING & TOLERANCING CONFORM TO ASME Y14.4M-1994.

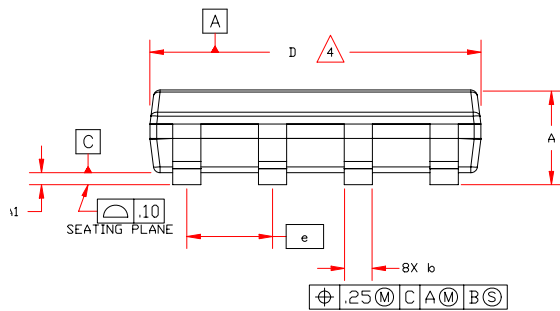
3. ALL DIMENSIONS ARE IN MILLIMETERS. ANGLES ARE IN DEGREES.

4. DOES NOT INCLUDE MOLD FLASH, PROTRUSIONS OR GATE BURRS, WHICH SHALL NOT EXCEED .15mm(.006in) PER SIDE.

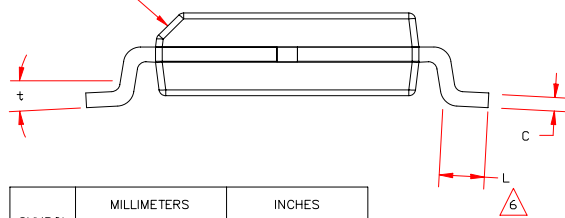
5. DEVIATION FROM JEDEC MS-012 STANDARD.

6. LENGTH OF TERMINAL FOR SOLDERING TO A SUBSTRATE.

7. DOES NOT INCLUDE INTER-LEAD FLASH OR PROTRUSIONS, WHICH SHALL NOT EXCEED .25mm(.010in) PER SIDE.



h x 45° INDEX CHAMFER



SYMBOL	MILLIMETERS		INCHES	
	MIN.	MAX.	MIN.	MAX.
A	1.30	1.40	.051	.055
A1	.10	.25	.004	.010
b	.41		.016	
C	.20		.008	
D	4.80	5.00	.189	.197
E	3.80	4.00	.150	.157
e	1.27 BSC		.050 BSC	
H	5.80	6.20	.228	.244
h	.25	.50	.01	.02
L	.40	1.27	.016	.050
t	0	8*	0	8*