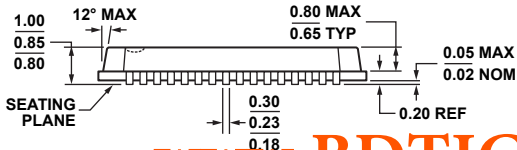
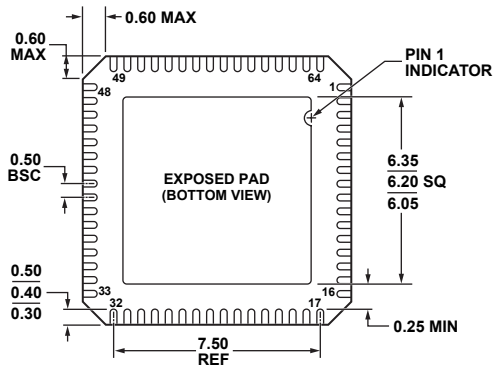
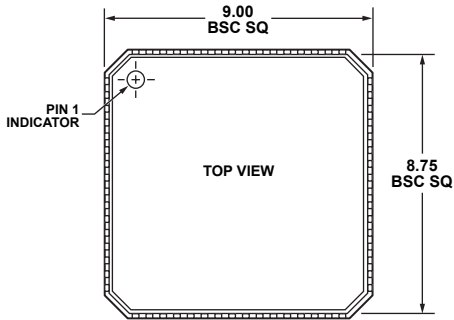


**64-Lead Lead Frame Chip Scale Package [LFCSP_VQ]
9 x 9 mm Body, Very Thin Quad
(CP-64-4)
Dimensions shown in millimeters**



www.BDTIC.com/ADI

COMPLIANT TO JEDEC STANDARDS MO-220-VMMD-4