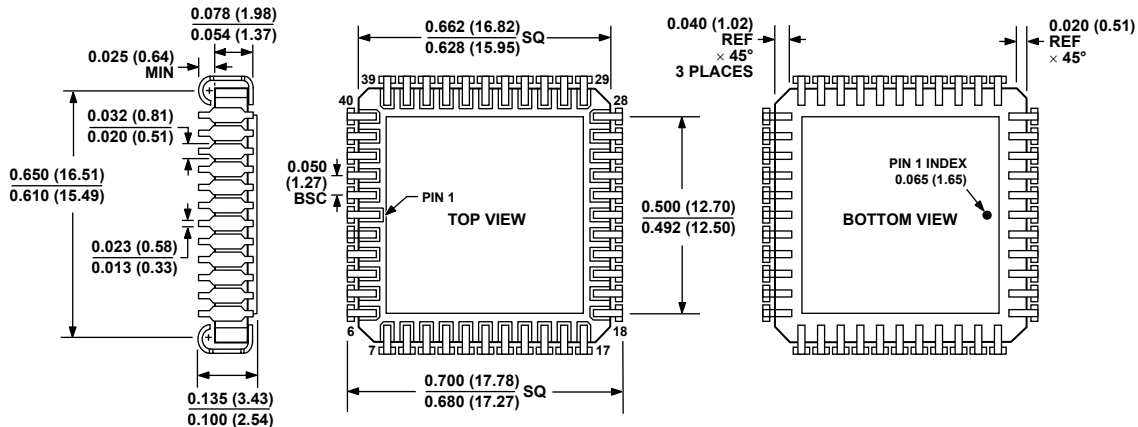


44-Lead Ceramic Leaded Chip Carrier, J-Formed Leads [JLCC]

(J-44)

Dimensions shown in inches and (millimeters):



CONTROLLING DIMENSIONS ARE IN INCHES; MILLIMETERS DIMENSIONS (IN PARENTHESES) ARE ROUNDED-OFF INCREMENTAL VALUES FOR REFERENCE ONLY AND ARE NOT APPROPRIATE FOR USE IN DESIGN.

www.BDTC.com/ADI