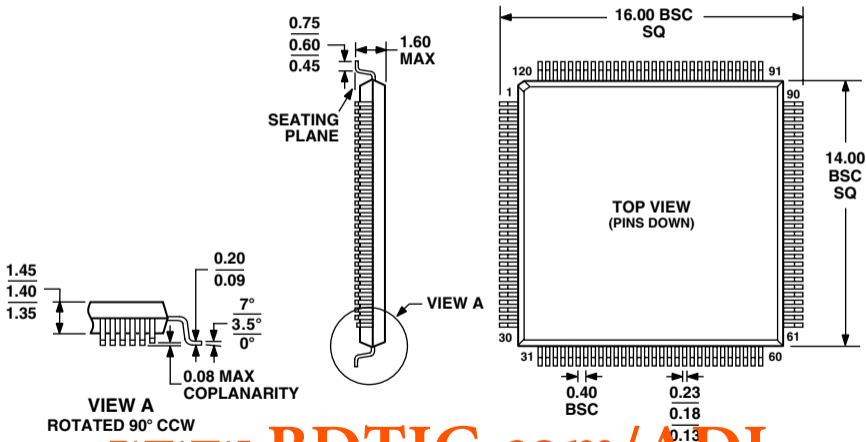


**120-Lead Low Profile Quad Flat Package [LQFP]  
(ST-120)**

Dimensions shown in millimeters



[www.BDTIC.com/ADI](http://www.BDTIC.com/ADI)

COMPLIANT TO JEDEC STANDARDS MS-026BEE