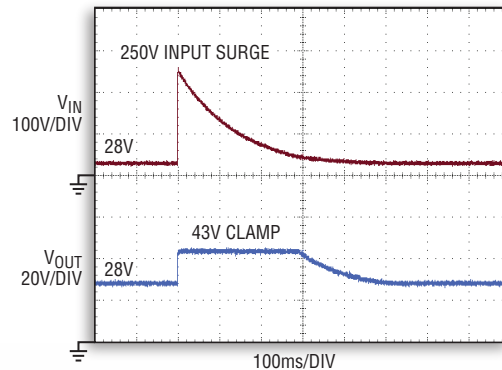
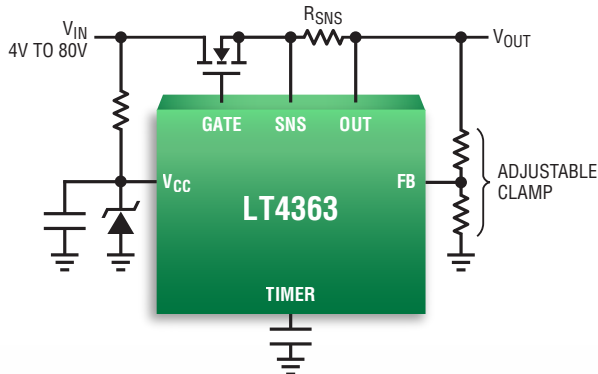




# Surge Stoppers

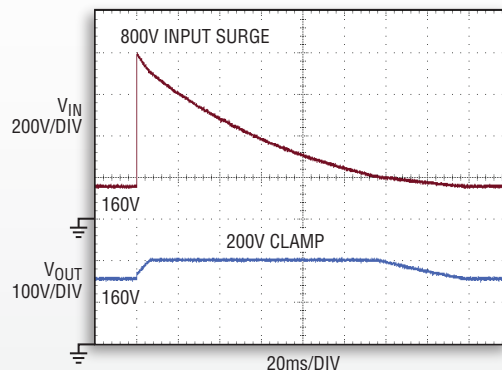
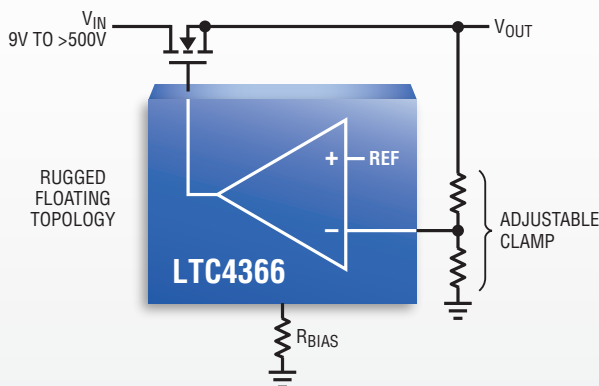
## LT4363 High Voltage Surge Stopper with Current Limit

In harsh industrial, automotive and avionic environments, systems must continue operating reliably through severe overvoltage events. The LT<sup>®</sup>4363 builds on the first-generation LT4356 by extending overvoltage protection capabilities beyond 100V, without sacrificing overcurrent protection. Additional features include OV/UV monitoring, fast overcurrent limit and extended cooldown period.



## LTC4366 Floating Surge Stopper

The LTC<sup>®</sup>4366's adjustable floating topology is capable of extremely high voltages; the operational upper voltage is limited only by MOSFET ratings. During high voltage transient events, the LTC4366 clamps the output to a user-defined voltage, while the fault timer ensures safe shutdown of the MOSFET if the fault persists.



Part Number	Operating Range	V <sub>IN</sub> Max	Reverse Protection	Overcurrent Protection	Comments	Package Options
LT4356	4V to 80V	100V	-60V	Yes, <100V	Surge Stopper with Auxiliary Amplifier	4mm × 3mm DFN, MSOP-10, SO-16
LT4363	4V to 80V	100V	-60V	Yes, >100V	High Voltage Surge Stopper with Current Limit	4mm × 3mm DFN, MSOP-12, SO-16
LTC4364	4V to 80V	100V	-40V	Yes, >100V	Surge Stopper with Ideal Diode	4mm × 3mm DFN, MSOP-16, SO-16
LTC4365	2.5V to 34V	60V	-40V	No	UV, OV and Reverse Supply Protection Controller	3mm × 2mm DFN, TSOT-8
LTC4366	9V to >500V	Unlimited	Yes	No	Floating Surge Stopper	3mm × 2mm DFN, TSOT-8

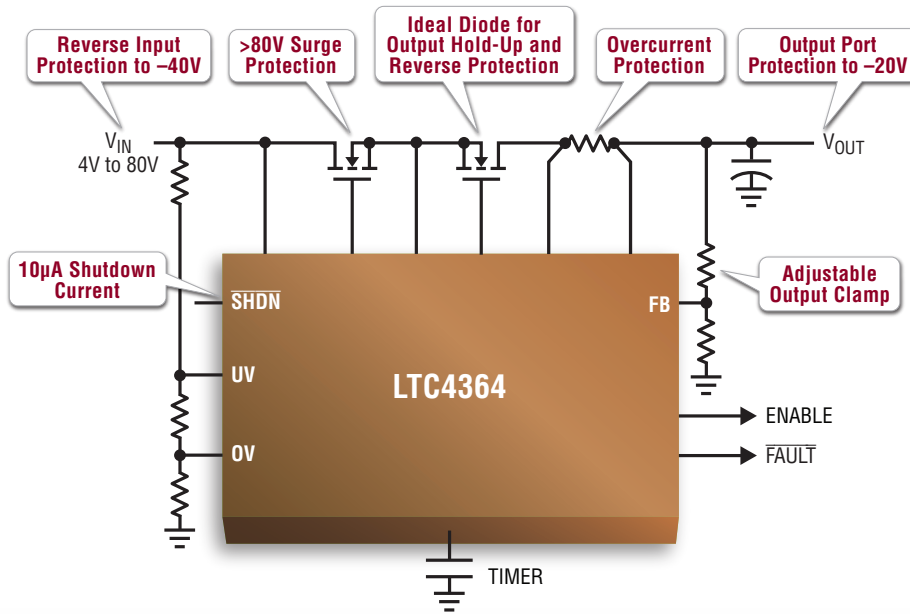


LT, LT, LTC, LTM, Linear Technology and the Linear logo are registered trademarks of Linear Technology Corporation. All other trademarks are the property of their respective owners.

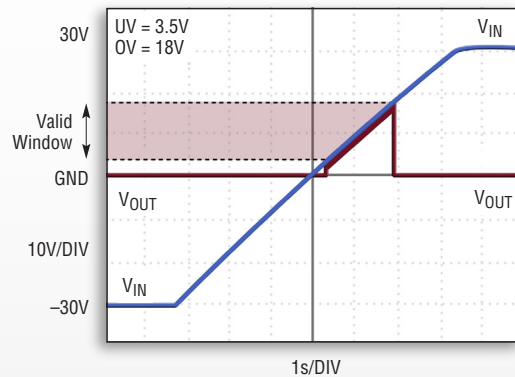
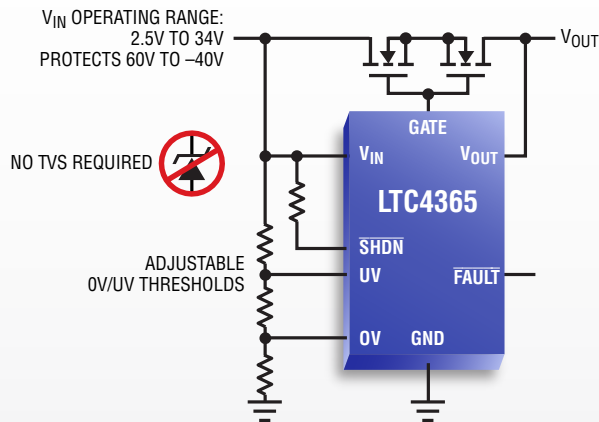
[www.BDTIC.com/Linear](http://www.BDTIC.com/Linear)

## LTC4364 High Voltage Surge Stopper with Ideal Diode

The LTC4364 adds the ideal diode function along with reverse output protection to the LT4363. The ideal diode protects the load from a reversed battery, holds up the output during an input brownout, and facilitates diode-ORing.



## LTC4365 UV, OV and Reverse Supply Protection Controller



### Features

- Low Operating Current: 125µA
- Low Shutdown Current: 10µA
- Blocks 50Hz and 60Hz AC Power
- -40°C to 125°C Operation
- 8-Lead, 3mm x 2mm DFN and TSOT-23 Packages